

VMS (Video Management Software) Appliance

Quick Guide

BRR-P6410A4E

BRR-P3210A4E

BRR-X6410A4E



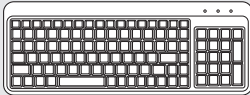
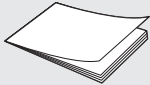





BRR-X3210A4E


Package Contents

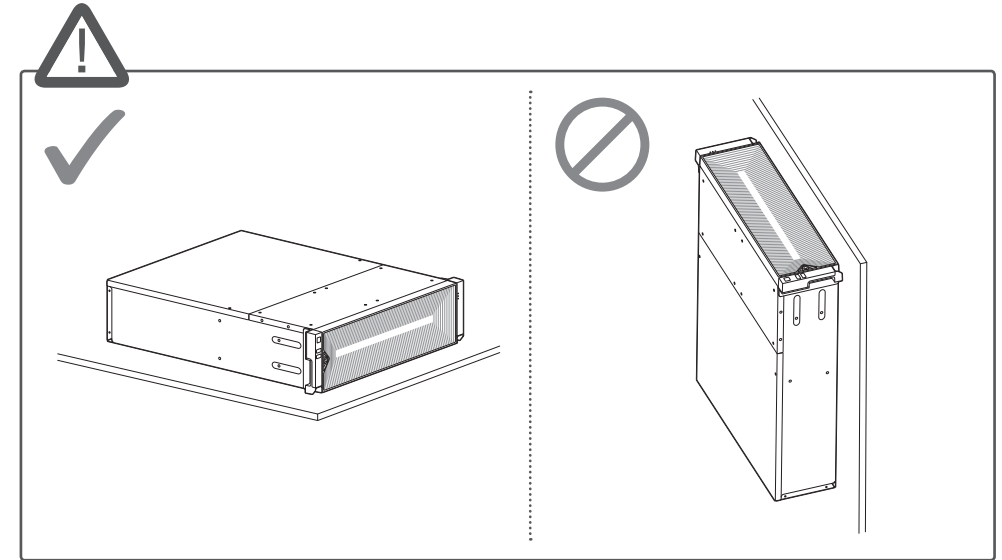
Please unwrap the product, and place the product on a flat place or in the place to be installed.
Please check the following contents are included in addition to the main unit.

-  ■ The appearance of the components may differ from the image shown.
- Accessory category and quantity may differ depending on sales region.
- For some regions, HDD is not pre-installed. The number of HDD fixing screws may vary depending on the number of installable HDDs.

BRR-P6410A4E/BRR-P3210A4E
BRR-X6410A4E/BRR-X3210A4E

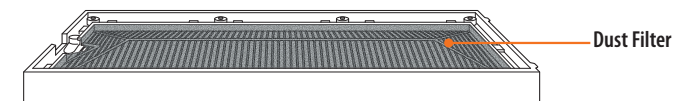
		
VMS Appliance	Mouse	Keyboard
		
Quick Guide	Power Cable	HDD Fixing Screw (64 ea)
		
Anti-slip Rubber Pad	HDD Number Sticker	Front Cover Lock Key (2 ea)

-  ■ Use the product in a flat, horizontal position as illustrated.



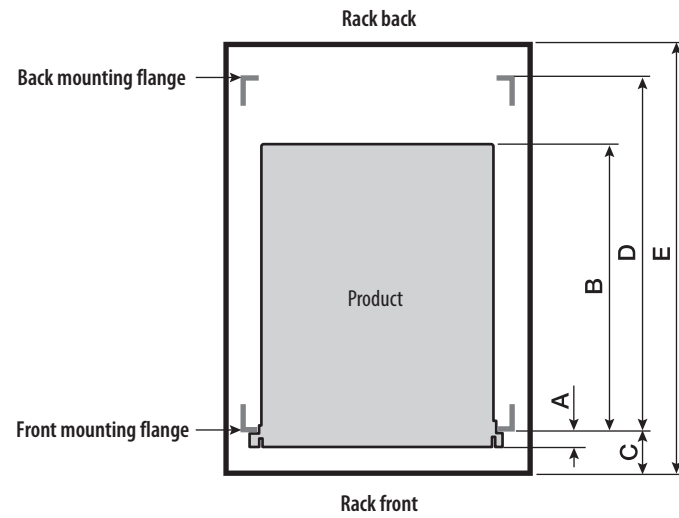
Cleaning the Dust Filter

A dust filter is mounted inside the front cover of the product. If dust accumulates on the filter, it may restrict airflow and increase the temperature of the product and HDD. Clean the dust filter regularly.



Hanwha Vision Co., Ltd. is a surveillance camera manufacturer that provides video information equipment with various functions. Users must comply with local laws when using our devices. Users are solely responsible for any illegal use of our products.

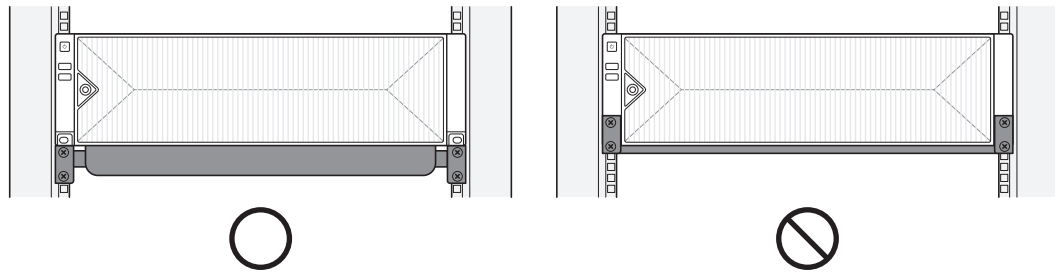
Recommended rack dimensions



Index	Dimension	Description
A	28 mm	Front dimensions of the product
B	560 mm	Product dimensions
C	51 mm	Offset distance between mounting flange and rack front
D	617~730 mm	Offset distance between mounting flanges
E	800 mm	Rack depth

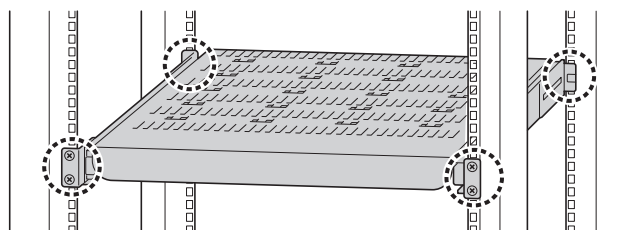
Precautions when selecting shelves

To prevent any problem while installing the product, make sure to select a structure where the bottom of the product is mounted.



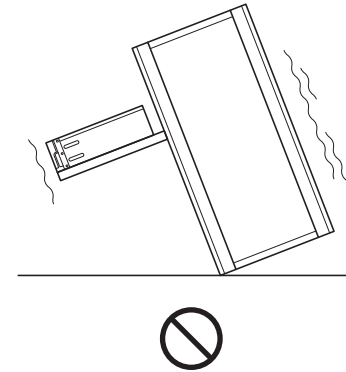
For installation stability, fixed shelf dedicated to 19-inch rack that supports the load of at least 30 kg is recommended.

- A shelf needs to be secured with at least 4 screws.

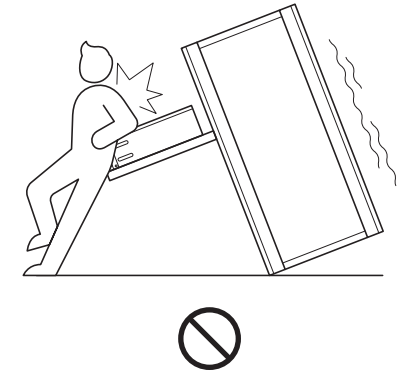


Precautions when using sliding shelves

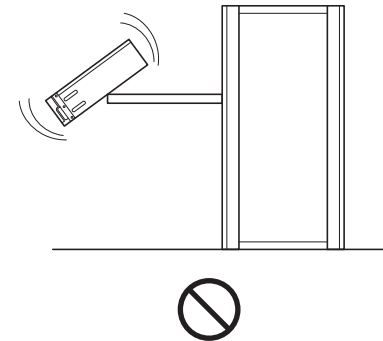
When removing a shelf, fix the rack to the ground so that it does not get toppled.



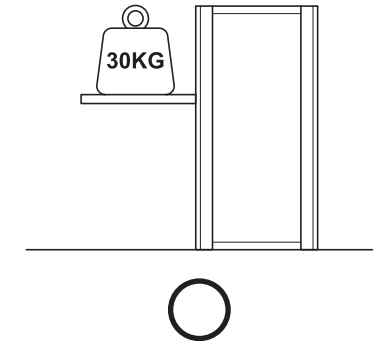
Avoid leaning on the installed product or place an object on it while its shelf is pulled out.



When sliding in/out the shelf, be careful not to drop the product.



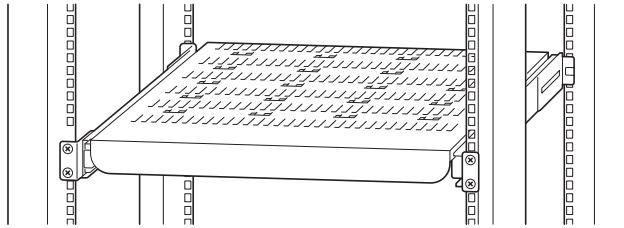
Use a shelf that supports the load of at least 30 kg while it is pulled out, and ensure that there is no deformation on the rail part while in use.



How to install rack

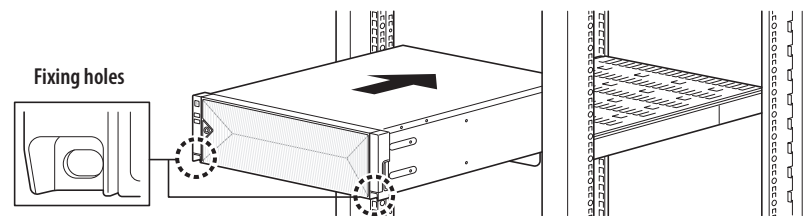
1 Mount the fixed or sliding shelf onto the 19-inch rack.

- See the manual provided by the manufacturer for installing the fixed shelf.



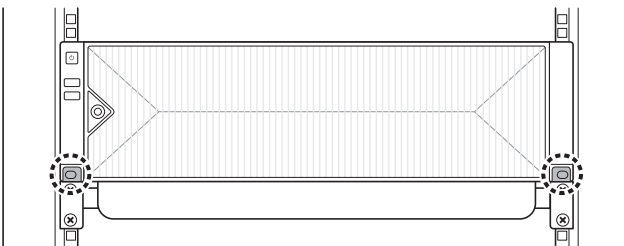
2 Place the product on the shelf and push it until the left/right fixing holes of the product align with the mounting flange holes of the 19-inch rack.

- Cage nuts must be assembled in the mounting flange holes of the 19-inch rack.



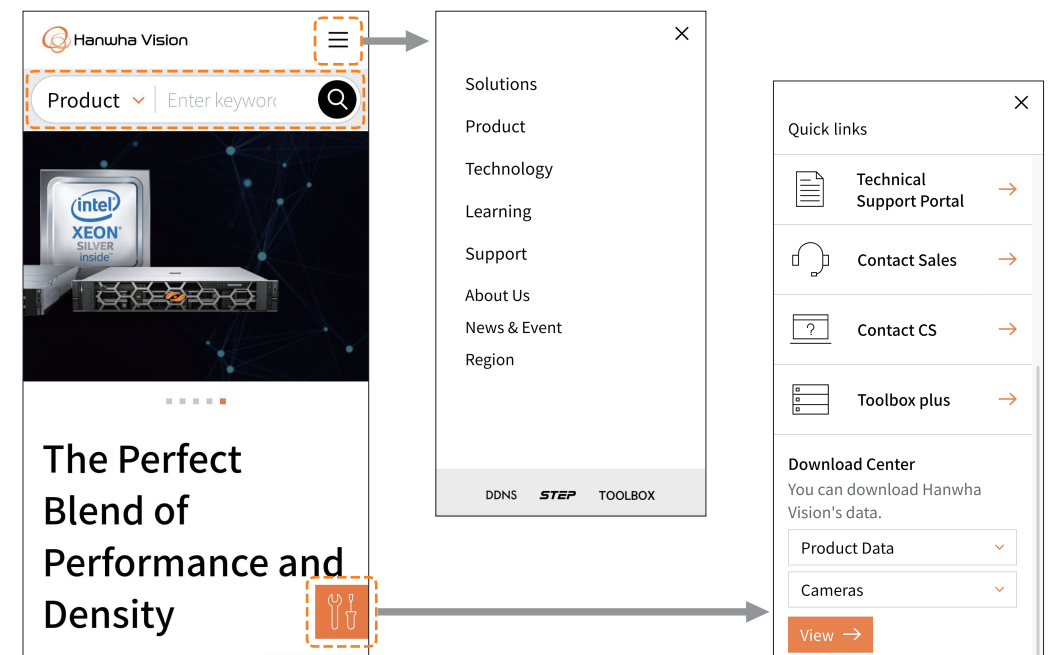
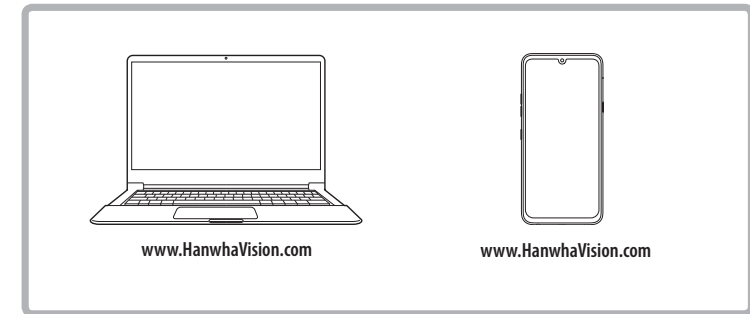
3 Insert the screws in the left/right fixing holes of the product to secure the product.

- Fixing nuts and cage nuts for the product are not shipped with the product. They are separately sold at the place where you purchased the shelf or rack.
(M6 nuts and cage nuts of head size equal to 12 mm or less are recommended.)



Using Product Information

You can check the product information/manual/firmware information/FAQ/HDD compatibility list on the homepage or mobile web of your smartphone.

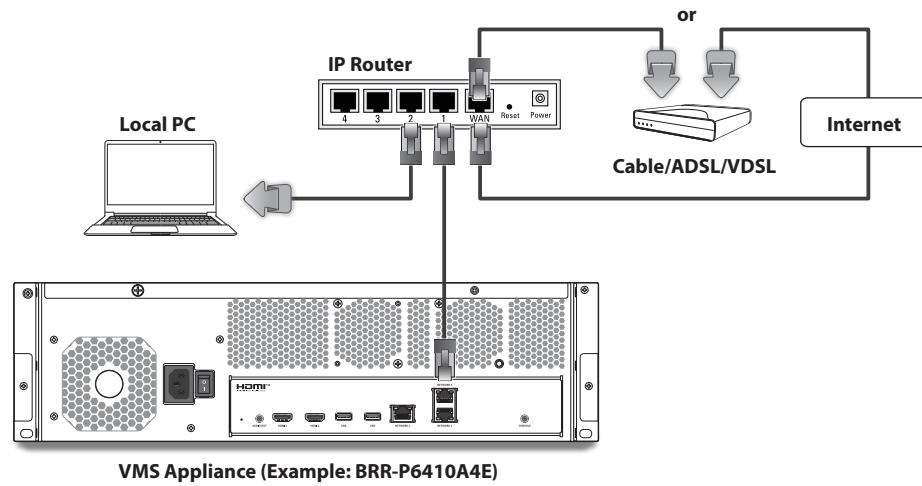


Connecting to a Network Using a Router

If you want to add a PC and 1 to 3 of these products in an environment using xDSL/Cable modem, you can use the router with only one Internet line.

This guide is an installation guide for network beginners. Follow the instructions to set up your router, local PC, and this product.

Connecting the cable



Connecting a router with PC



Refer to the router's user manual.

Connecting the product to a router

Configure the <IP address> and <Gateway> in this product's menu below:

Settings > Hardware > Servers > Network > IP & port > Network settings

- ※ The <Default gateway> checked in the [cmd.exe] window of the local PC and the <Gateway> of this product must be the same.
- ※ The first three numbers of this product <IP address> should match the first three of the <Default gateway> checked in the [cmd.exe] window of the local PC.

```
C:\Users\user1>ipconfig
Windows IP Configuration

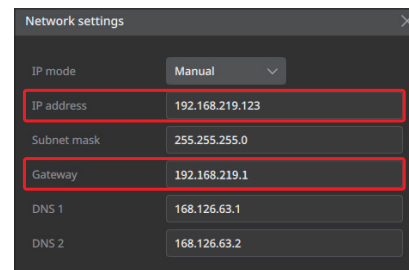
Ethernet adapter Ethernet 3:

    Connection-specific DNS Suffix  . : 
    Link-local IPv6 Address . . . . . : fe80::4296:c977-7953:881f%17
    IPv4 Address. . . . . : 192.168.219.125
    Subnet Mask . . . . . : 255.255.255.0
    Default Gateway . . . . . : 192.168.219.1

Ethernet adapter Ethernet 2:

    Media State . . . . . : Media disconnected
    Connection-specific DNS Suffix  . :
```

<Command Prompt screen example>



<VMS Appliance screen example>



This device complies with Industry Canada license-exempt RSS standard(s). Operation is subject to the following two conditions:
 (1) This device may not cause interference, and (2) this device must accept any interference, including interference that may cause undesired operation of the device.

Le présent appareil est conforme aux CNR d'Industrie Canada applicables aux appareils radio exempts de licence. L'exploitation est autorisée aux deux conditions suivantes :

(1) l'appareil ne doit pas produire de brouillage, et (2) l'utilisateur de l'appareil doit accepter tout brouillage radioélectrique subi, même si le brouillage est susceptible d'en compromettre le fonctionnement.

CAUTION


- RISK OF EXPLOSION IF BATTERY IS REPLACED BY AN INCORRECT TYPE. DISPOSE OF USED BATTERIES ACCORDING TO THE INSTRUCTIONS.
- Do not ingest battery, Chemical Burn Hazard.
- This product contains a coin / button cell battery. If the coin / button cell battery is swallowed, it can cause severe internal burns in just 2 hours and can lead to death.
- Keep new and used batteries away from children. If the battery compartment does not close securely, stop using the product and keep it away from children. If you think batteries might have been swallowed or placed inside any part of the body, seek immediate medical attention.
- Batteries (battery pack or batteries installed) shall not be exposed to excessive heat such as sunshine, fire or the like.
- Do not install and use the wrong type of battery.
- Do not leave the battery in a mechanically crush or cut it because it can explode.
- Do not leave the battery in a high temperature environment.
- Do not leave the battery in a low-pressure environment.

ATTENTION


- IL Y A RISQUE D'EXPLOSION SI LA BATTERIE EST REMPLACÉE PAR UNE BATTERIE DE TYPE INCORRECT. METTRE AU REBUT LES BATTERIES USAGÉES CONFORMÉMENT AUX INSTRUCTIONS.
- Ne pas ingérer la pile, risque de brûlure chimique.
- Ce produit contient une pile de type bouton/pièce de monnaie. Si la pile de type bouton/pièce de monnaie est avalée, elle peut causer de graves brûlures internes en seulement 2 heures et peut entraîner la mort.
- Gardez les piles neuves et usagées hors de portée des enfants. Si le compartiment de la pile ne se ferme pas correctement, cessez d'utiliser le produit et gardez-le d'atteinte des enfants. Si vous suspectez que des piles ont été avalées ou insérées dans une partie du corps, consultez un médecin sans tarder.
- Les batteries (bloc-batterie ou batteries installées) ne doivent pas être exposées à une chaleur excessive telle que le soleil, le feu ou autre.
- N'installez pas et n'utilisez pas le mauvais type de batterie.
- Ne laissez pas la batterie dans un endroit où elle pourrait être écrasée ou découpée mécaniquement, car elle pourrait exploser.
- Ne laissez pas la batterie dans un environnement à haute température.
- Ne laissez pas la batterie dans un environnement à basse pression.



The terms HDMI, HDMI High-Definition Multimedia Interface, HDMI Trade dress and the HDMI Logos are trademarks or registered trademarks of HDMI Licensing Administrator, Inc.



Hanwha Vision cares for the environment at all product manufacturing stages, and is taking measures to provide customers with more environmentally friendly products. The Eco mark represents Hanwha Vision's devotion to creating environmentally friendly products, and indicates that the product satisfies the EU RoHS Directive.




Correct Disposal of This Product (Waste Electrical & Electronic Equipment)

(Applicable in the European Union and other European countries with separate collection systems)

This marking on the product, accessories or literature indicates that the product and its electronic accessories (e.g. charger, headset, USB cable) should not be disposed of with other household waste at the end of their working life. To prevent possible harm to the environment or human health from uncontrolled waste disposal, please separate these items from other types of waste and recycle them responsibly to promote the sustainable reuse of material resources.

Household users should contact either the retailer where they purchased this product, or their local government office, for details of where and how they can take these items for environmentally safe recycling.

Business users should contact their supplier and check the terms and conditions of the purchase contract. This product and its electronic accessories should not be mixed with other commercial wastes for disposal.



Correct disposal of batteries in this product

(Applicable in the European Union and other European countries with separate battery return systems.)

This marking on the battery, manual or packaging indicates that the batteries in this product should not be disposed of with other household waste at the end of their working life. Where marked, the chemical symbols Hg, Cd or Pb indicate that the battery contains mercury, cadmium or lead above the reference levels in EC Directive 2006/66. If batteries are not properly disposed of, these substances can cause harm to human health or the environment.

To protect natural resources and to promote material reuse, please separate batteries from other types of waste and recycle them through your local, free battery return system.

