

# ConteralP® Outdoor Dome EX Megapixel Camera

5 Megapixel (MP) H.265/H.264 All-in-One Motorized P-Iris Lens True Day/Night Indoor/Outdoor Dome IP Camera with SNAPstream+™ (Smart Noise Adaptation and Processing), Enhanced WDR™ (Wide Dynamic Range), NightView™, Smart IR, and Video Analytics

H.265



The ConteralP® Outdoor Dome EX megapixel camera features 5-megapixel (MP) resolution for optimum performance. The ConteralP Outdoor Dome combines a day/night mechanical IR cut filter with an integrated motorized remote focus and zoom precision iris (P-iris) lens for excellent, optimal image quality. The ConteralP Outdoor Dome EX is ONVIF (Open Network Video Interface Forum) Profile S, G, Q and T compliant, providing interoperability between network video products regardless of manufacturer.

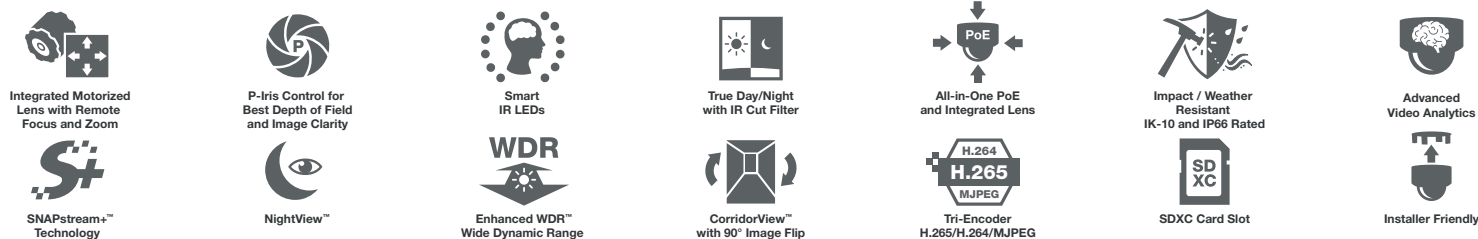
The inclusion of on camera video analytics gives the ConteralP Outdoor Dome EX the ability to increase situational awareness and gather data for business intelligence. Alarm conditions can be setup to alert security for observed behaviors. Several of the analytic behaviors can also be used for business intelligence data gathering, such as the loitering behavior for tracking dwell time in retail environments.

Regardless of the time of day, the ConteralP Outdoor Dome EX is prepared for any lighting condition. Enhanced WDR™ (wide dynamic range) at 120dB provides the best visual balance to shaded and bright

light conditions, NightView™ offers strong low-light sensitivity for capturing details in extremely poor-lit scenes, and built-in Smart IR LED illumination automatically adjusts output in response to the distance of an object in view to prevent over-exposure when the object is very close to the camera.

Arecont Vision® was the first to bring H.264 to the mainstream market and recently developed SNAPstream™ (Smart Noise Adaptation and Processing) technology for reducing bandwidth without impacting image quality. Today we are proud to offer our next generation H.265 with SNAPstream+™ smart codec capable of delivering high quality video while saving over 50% of the data rate to reduce or prevent strain on the network.

The microSD card slot supports up to 256GB of storage capacity for convenient onboard storage. The camera's power can be supplied via a Power-over-Ethernet (PoE - IEEE 802.3af) compliant network cable connection. The ConteralP Outdoor Dome EX is IP66 rated for both indoor and outdoor applications. All models feature an impact resistant cast-aluminum housing capable of withstanding the equivalent of 55 kg (120 lbs) of force.



## Series Features

- 5MP Resolution
- Advanced Video Analytics
- Remote Focus/Zoom Motorized P-Iris Lens
- SNAPstream+™ Capability to Reduce Bandwidth without Impacting Image Quality
- NightView™ for Strong Low Light Performance
- True Day/Night Functionality with Mechanical IR Cut Filter
- Enhanced WDR up to 120dB at Full Resolution: See Clearly in Shaded and Bright Light Conditions Simultaneously
- CorridorView™ Allows 90° Image Rotation for Better Coverage in Hallways and Corridors
- Privacy Mask, Motion Detection, Bit Rate Control, Multi-Streaming, Multicasting, Forensic Zooming, and Scaling
- On-Screen Display (OSD)
- Defog Technology
- Triple Encoder: H.265/H.264/MJPEG
- Network Protocols Include SNMP, HTTPS, IPv6, DHCP, 802.1x, and More
- All-in-One H.265/H.264 Total PoE Solution (No External Power Required for Heater and IR LEDs), PoE and Auxiliary Power: 12–48V DC/24V AC
- Smart IR Illumination with Variable Illumination Ensures that IR Light is Evenly Disbursed up to 66ft (20m) for Scenes with Low or No Ambient Light
- Audio In / Out (Accessory Sold Separately)
- MicroSDXC Card Slot for Onboard Storage
- Outdoor Rated IP66 and IK-10 Impact-Resistant Housing
- Easily Adjustable 3-Axis Gimbal

## Camera Imaging Specifications

<b>Model</b>	<b>AV5456PMIR-S</b>	
<b>Image Sensor</b>	5MP CMOS Progressive Sensor	
<b>Optical Format</b>	1/2.9"	
<b>Minimum Illumination</b>	Color (Day Mode)	0.1 Lux
	B/W (Night Mode)	0.01 Lux
<b>Full FOV Resolution</b>	2592 H x 1944 V	
<b>Scaling</b> (See <i>Scaling Resolutions Below</i> )	Yes	
<b>IR Illumination</b>	Yes	
<b>Dynamic Range</b>	120dB	
<b>Frame Rates</b> <sup>1</sup>	Single Stream	Up to 30fps (5MP) <sup>2</sup>
	Multi-Stream	Up to 15fps (5MP) <sup>2</sup> + 10fps (5MP) <sup>2</sup> Up to 30fps (1080p) <sup>2</sup> + 30fps (720p) <sup>2</sup> + 30fps (VGA) <sup>2</sup>
<b>Lens</b>	Motorized Lens	2.7–12mm, F1.3, H-FOV = 24°–81°, V-FOV = 18°–57°, P-Iris

## Programmability

<b>Optics</b>	Remote focus, remote zoom
<b>Low-Light Performance</b>	NightView™ technology
	Smart IR
<b>Programmable Shutter Speed</b>	Auto/manual 0.1ms ~ 500ms
<b>Motion Detection</b>	Real-time, 1024 detection zones
<b>Privacy Masking</b>	Unlimited
<b>Backlight Compensation</b>	Auto
<b>White Balance Mode</b>	Auto/manual
<b>Gain Control</b>	Auto
<b>Flicker Control</b> <sup>2</sup>	5Hz–255Hz selectable
<b>Image Rotation</b>	CorridorView™ (90°, 180°, and 270° image rotation) + mirror
<b>Scaling</b>	2592x1944, 2048x1536, 1920x1080, 1296x972, 1280x720, 640x480, 640x360, 320x240
<b>Wide Dynamic Range</b>	Adjustment between WDR and LDR modes
<b>Efficiency</b>	SNAPstream+™ (Smart Noise Adaptation and Processing)
	Bit rate and bandwidth limitation control
<b>Defog</b>	Supported
<b>Miscellaneous</b>	Programmable brightness, contrast, sharpness, saturation, hue
	Electronic pan, tilt, zoom (PTZ)
<b>Password</b>	16-digit ASCII character password
<b>On-Screen Display (OSD)</b>	Time/date/camera name/custom text
<b>Basic Video Analytics</b>	Motion Detection
	Camera Tamper
<b>Advanced Video Analytics</b> <sup>4</sup>	Intrusion Detection
	Line Crossing
	Loitering
<b>Optional Advanced Video Analytics</b> <sup>5</sup>	Object Classification (Person/Vehicle) <sup>5</sup>
	Object Left/Removed <sup>5</sup>
	People/Vehicle Counting <sup>5</sup>

- 30 frames per second (FPS) maximum with H.264 and H.265 compression at 60 hertz (Hz), up to 25fps maximum at 50Hz
- Max FPS with Enhanced WDR™ turned on will be up to 50% of listed FPS
- Limited to 180° rotation with video analytics enabled
- Analytics are not designed for heavy traffic locations such as roads and intersections
- Requires Optional Advanced Video Analytic License

## Data Transmission

<b>Compression Type</b>	H.265/H.264 (MPEG-4, Part 10)/Motion JPEG
<b>Bit Rate Control</b>	64K–800K
<b>Smart Codec</b>	Smart GOP/Smart ROI
<b>Transmission Protocols</b>	SNMP, HTTP, HTTPS, IPv6, IPv4, SSL, TCP/IP, UPnP, UDP, RTCP, RTSP, RTP, SMTP, NTP, DHCP, FTP, 802.1x, Zero Configure
	10/100Base-T Ethernet network interface, RJ45
<b>Multi-Streaming</b>	2 x H.265/H.264 stream, 1 x M-JPEG stream
<b>Users</b>	Live viewing/Administrator for up to 10 clients

## Event Management

<b>Event Trigger</b>	Motion detection, video analytics, alarm in
<b>Notifications</b>	Send/record message via e-mail/FTP/NAS/SD card, record JPG/mp4

## Compliance

<b>Industry Standard</b>	ONVIF Profile S, G, Q, T conformant
<b>Listings</b>	UL (CB) UL60950-1, E489591
<b>FCC Compliance</b>	47 CFR 15 Class A
<b>Environmental</b>	RoHS, REACH, WEEE
<b>Markings</b>	CE: EN55032 Class A, EN55024, EN61000-3-2, EN61000-3-3, EN60950
<b>Mechanical</b>	IK-10 (EN62262), IP66 (EN60529)

## Environmental

<b>Operating Temperature</b>	-20°C (-4°F) to +50°C (122°F)
<b>Humidity</b>	0% to 90% (non-condensing)
<b>Storage Temperature</b>	-40°C (-40°F) to +60°C (140°F)

## General Electrical

<b>Alarm Input/Output</b>	1 input (wet contact)/1 output (wet contact)	
<b>Power Over Ethernet</b>	PoE IEEE 802.3af, Class 3	
	Total PoE solution (no external power requirement)	
<b>Auxiliary Power</b>	12–48V DC, 24V AC	
<b>Power Consumption</b>	<b>1080p</b>	5.5W PoE max
	<b>5MP</b>	6.5W PoE max

## IR Illuminator

<b>LEDs</b>	12pcs, Smart IR
<b>Projection Distance</b>	66ft (20m) max

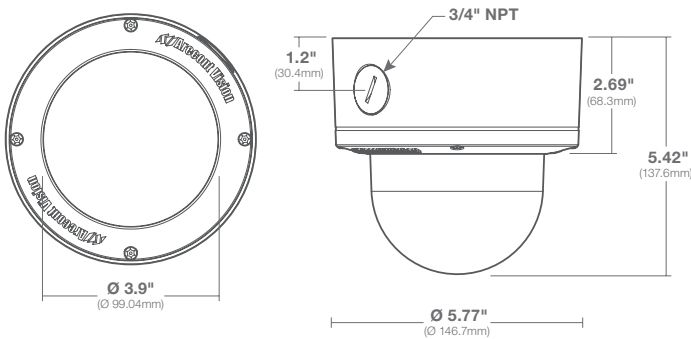
## Audio Electrical

<b>Streaming</b>	Two-way
<b>Compression</b>	G.711 PCM 8 kHz
<b>Input/Output</b>	Line in / Line output

## Mechanical

<b>Casing</b>	Die-cast aluminum chassis with 4" polycarbonate dome bubble	
	IP66 weather proof standard	
	Impact resistant, IK-10 rated	
<b>Gimbal</b>	Easily adjustable 3-axis camera gimbal w/360° pan, 77° tilt and 180° z-axis	
<b>Dimensions</b> <i>(See Dimensions)</i>	<b>Unit</b>	Ø 5.77" (146.7mm) x 5.42" H (137.6mm)
	<b>Packaged</b>	6" H (150mm) x 7.5" W (190mm) x 8" L (200mm)
<b>Weight</b>	<b>Unit</b>	2.65lbs (1.2kg)
	<b>Packaged</b>	3.31lbs (1.5kg)
<b>On Board Storage</b>	MicroSDXC slot up to 256GB (card not included)	
<b>Body Color</b>	Arecont Vision® White (Pantone® Cool Gray 1C)	

## Dimensions



See Next Page for Ordering Information



### Model Numbers

<b>5MP</b>	AV5456PMIR-S	<b>WDR</b>
------------	--------------	------------

### Optional Advanced Video Analytic License

<b>AV-CADVVA1</b>	Enables Optional Advanced Video Analytic Behaviors on ConteraIP EX Cameras
-------------------	--

### Accessories

<b>AV-1AK</b>	ConteraIP® Outdoor Dome Optional Audio Kit
<b>AV-CRMA-W</b>	Corner Mount Adapter (Arecont Vision® White)
<b>AV-FMA</b>	Flush Mount Adapter (White)
<b>AV-PMA-W</b>	Pole Mount Adapter (Arecont Vision® White)
<b>AV-PMJB-W</b>	Pendant Mount Bracket with Standard Junction Box (Arecont Vision® White) (Fits Cap 1.5" NPT, Box Fits 3/4" NPT)
<b>AV-WMJB-W</b>	Wall Mount Bracket with Standard Junction Box (Arecont Vision® White) (Fits Cap 1.5" NPT, Box Fits 3/4" NPT)
<b>MD-CAP-W</b>	Mounting Cap for ConteraIP® Outdoor Dome (Arecont Vision® White)
<b>MD-JBA-W</b>	Round Junction Box for ConteraIP® Outdoor Dome (Arecont Vision® White) (Fits 3/4" NPT)

### Configurations



Surface mount dome

Create Your Model (Example: AV5456PMIR-S)

Megapixel Resolution	Generation	Body Type	Compression	Lens	Infrared	Onboard Storage
----------------------	------------	-----------	-------------	------	----------	-----------------

