



DWC-MV421D	DWC-MV421DB	DWC-MV421TIR	DWC-MV421TIRB
------------	-------------	--------------	---------------



Username: **admin** Password: **admin**

**WHAT'S IN THE BOX**

QSG Manual		1 Set	Star Driver		1 Set
Manual CD		1 Set	Screw & Plastic Anchor – 4pcs		1 Set
Template Sheet		1 Set	DC Plug Cable		1 Set
Hexagonal Wrench		1 Set	Test Video Cable		1 Set

**Attention:** This document is intended to serve as a quick reference page for initial set-up. It is recommended that the user read the entire instruction manual for complete and proper camera usage.

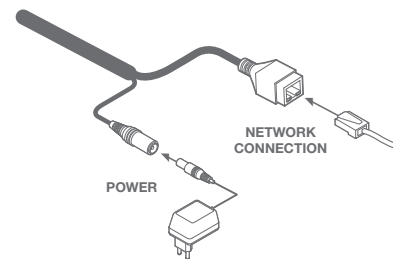
**Step 1 – PREPARING TO MOUNT THE CAMERA**

1. The mounting surface must bear five times the weight of your camera.
2. Do not let the cables get caught in improper places or the electric line cover to be damaged. This may cause a breakdown or fire.
3. For the installation process, remove the junction box and dome cover from the camera module. To remove the camera dome, loosen the three (3) screws on the dome using the wrench provided with the camera. To remove the junction box, loosen the three (3) screws on the camera module using the driver provided with the camera.
4. Using the mounting template sheet or the camera's junction box, mark and drill the necessary holes in the wall or ceiling.
5. Secure the junction box to the mounting surface.

**Step 2 – CABLING THE CAMERA TO EXTERNAL DEVICES**

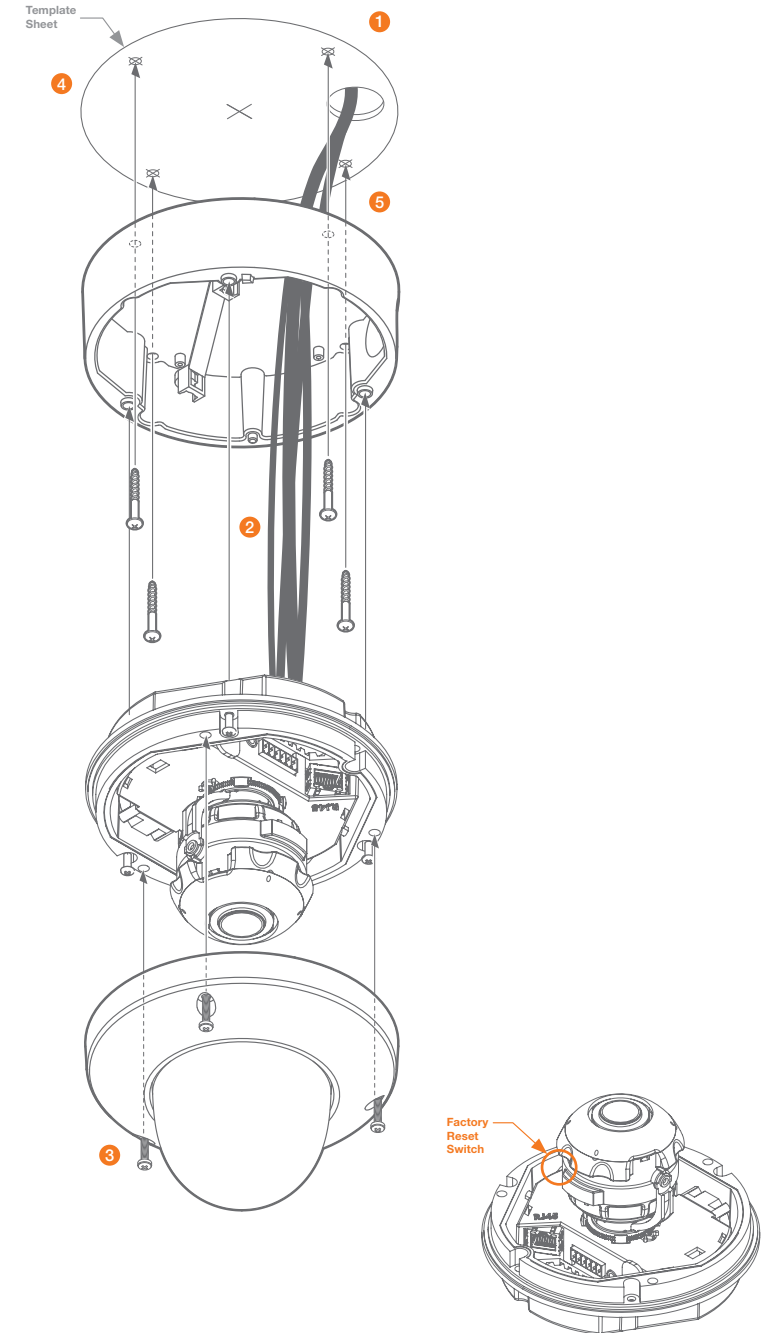
6. Pass the wires through the mount bracket and make all necessary connections.
  - a. NETWORK CONNECTIONS – If you are using a PoE Switch, connect the camera using an Ethernet cable for both data and power.
  - b. NETWORK CONNECTIONS – If you are using a non-PoE switch, connect the camera to the switch using an Ethernet cable for data transmission and use a power adapter to power the camera.

Power Requirements	Power Consumption
DC 12V PoE IEEE 802.3atPoE+ / PoE Class 3	LED Off: 7.2W, 600mA LED On: 8.64W, 720mA (IR models)



**Step 3 – INSTALLING THE CAMERA**

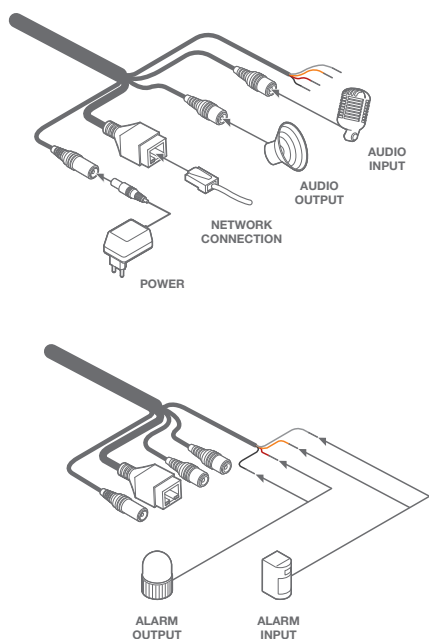
7. Secure the camera module to the junction box using three (3) screws.
8. Use the camera's 3-Axis gimbal to adjust the camera's tilt and angle. The camera's maximum tilting angle is 75° (90° for non-IR models).
9. Assemble the dome cover over the camera body and detach the protecting film from the dome bubble.



**Resetting the camera:** To reset the camera, use the tip of a paper clip or a pencil and press the reset button. Pressing the button for five (5) seconds will initiate a camera-wide reset of all the settings, including network settings.

## Step 4 – CABLING

Use the diagram below to properly connect power, network, audio, alarm and sensors to the camera.



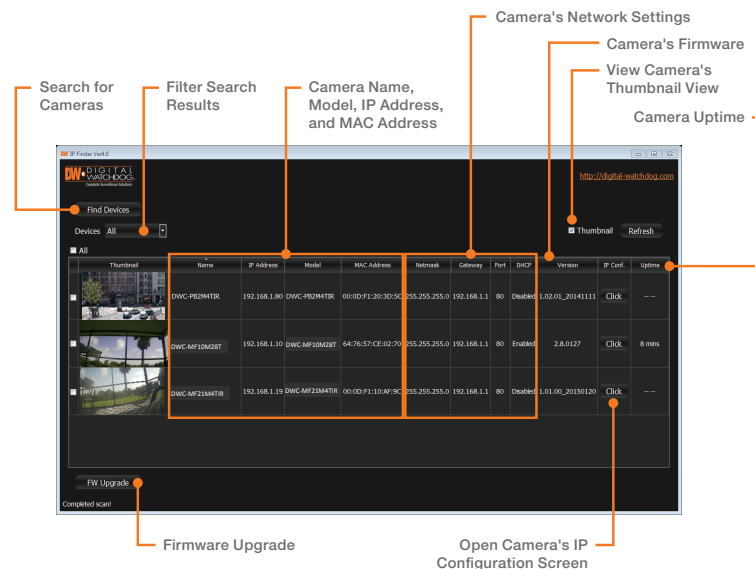
Note: The camera's maximum tilting angle is 75° (90° for non-IR models).

## Step 5 – DW IP FINDER™

Use the DW IP Finder™ included in the camera's accessory CD to scan the network and detect all MEGApix® cameras, set the camera's network settings, perform firmware upgrade or access the camera's web client.

### Network Setup

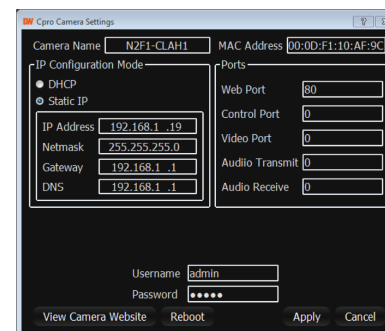
1. Run the CD included with the camera and click on the DW IP Finder™ file.
2. The software will scan your network for all supported cameras and display the results in the table. Allow up to 5 seconds for the IP Finder to find the camera on the network.
3. Select a camera from the list by double-clicking on the camera's image or clicking on the 'Click' button under the IP Conf. column. The camera's network information will appear. If necessary, you can adjust the camera's network type.



- i** Select DHCP if the internet service is dynamic IP. This will allow the camera to receive its IP address from the DHCP server.
- i** Select STATIC to manually enter the camera's IP address, subnet mask, Gateway and DNS information.
- i** Contact your network administrator for more information.

4. The camera's default network information is:

- i** Default TCP/IP information
  - IP: 192.168.1.123
  - Subnet Mask: 255.255.255.0
  - Gateway: 192.168.1.123
  - DNS: 168.126.63.1



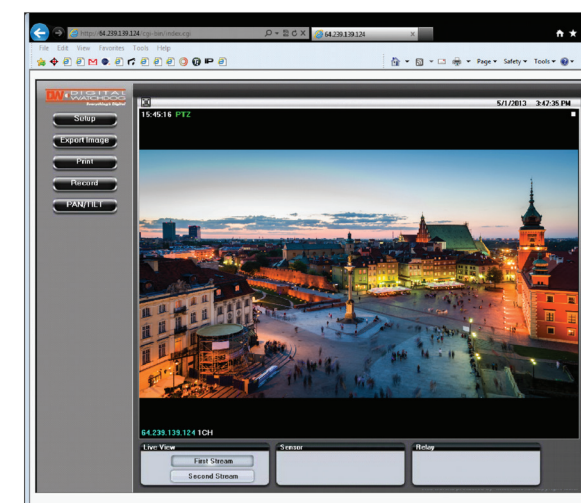
5. To view the camera's web viewer, click on 'View Camera Website'.

- i** 'Port Forwarding' has to be set in your network's router for external access to the camera.

6. To save the changes made to the camera's settings, input the ID and PW of the camera for authentication and click 'Save'.
7. If the camera needs to be rebooted after the settings were changed, press the 'Reboot' button. The camera will cycle power and will appear back in the search results once the reboot is complete.

**i** Default ID / PW : admin / admin

## Step 6 – WEB VIEWER



Once the camera's network settings have been setup properly, you can access the camera's web viewer using the DW IP Finder™. To open the camera's web viewer:

1. Find the camera using the DW IP Finder™.
2. Double-click on the camera's view in the results table.
3. Press the 'View Camera Website'. The camera's web viewer will open up in your default web browser.
4. Enter the camera's username and password (default are admin / admin).
5. If you are accessing the camera for the first time, install the VLC files in order to view video from the camera.

Note: Please see the full product manual for web viewer setup, functions and camera settings options.