

EK-S31P4D44T1-V2



Key Features

NVR301-04S3-P4

- Support Ultra 265/H.265/H.264 video formats
- 4-channel input
- Plug & Play with 4 independent PoE network interfaces
- Support mainstream cameras of ONVIF conformance(Profile S, Profile G, Profile T) and RTSP protocols
- Support 1-ch HDMI, 1-ch VGA, HDMI at up to 4K(3840x2160) resolution
- HDMI and VGA simultaneous output
- Up to 4K resolution recording
- 1 SATA HDD, up to 8TB
- Support cloud upgrade

EC-D4F28M

- Day/night functionality
- Smart IR, up to 30 m (98 ft) IR distance
- 2D/3D DNR (Digital Noise Reduction)
- Ultra 265, H.265, H.264, MJPEG
- ROI (Region of Interest)
- ONVIF Conformance
- Wide temperature range: -30°C ~ +60°C (-22°F ~ 140°F)
- Wide voltage range of ±25%
- IK10 vandal resistant
- IP67

Specifications

Model	NVR301-04S3-P4
Video/Audio Input	
IP Video Input	4-ch
Network	
Incoming Bandwidth	64Mbps
Outgoing Bandwidth	48Mbps
Remote Users	128
Protocols	TCP/IP, P2P, UPnP, NTP, DHCP, PPPoE, HTTP, HTTPS, DNS, DDNS, SMTP, RTSP
Video/Audio Output	
HDMI/VGA Output	HDMI: 4K(3840x2160)/30Hz, 1920x1080/60Hz, 1920x1080/50Hz, 1600x1200/60Hz, 1280x1024/60Hz, 1280x720/60Hz, 1024x768/60Hz VGA: 1920x1080/60Hz, 1920x1080/50Hz, 1600x1200/60Hz, 1280x1024/60Hz, 1280x720/60Hz, 1024x768/60Hz
Recording Resolution	4K/5MP/4MP/3MP/1080p/960p/720p/D1/2CIF/CIF
Audio Output	1-ch, RCA
Audio Compression	G.711A, G.711U
Synchronous Playback	4-ch
Liview display	1/4
Corridor Mode Screen	3/4
Snapshot	
FTP/Schedule/Event Snapshot	1-ch snapshot, up to D1 resolution
Decoding	
Decoding format	Ultra 265/H.265/H.264

Liveview/Playback	4K/5MP/4MP/3MP/1080p/960p/720p/D1/2CIF/CIF
Capability	1 x 4K@30, 4 x 5MP@25, 4 x 4MP@25, 4 x 3MP@25, 4 x 1080p@30
Hard Disk	
SATA	1 SATA interface
Capacity	Up to 8TB for each disk (The maximum HDD capacity varies with environment temperature)
Smart	
VCA Detection by Camera	Intrusion Detection, Cross Line Detection, Enter Area, Leave Area, Audio Detection, Ultra Motion Detection(UMD)
VCA Search	Intrusion Detection, Cross Line Detection, Enter Area, Leave Area, Ultra Motion Detection(UMD)
Smart Intrusion Prevention (SIP), UMD by Camera	Total 4-ch
General Alarm	
General Alarm	Motion, Tampering, Human Body Detection, Video Loss, Alarm Input
Alert Alarm	IP Conflict, Network Disconnected, Disk Offline , Disk Abnormal, Illegal Access, Hard Disk Space Low, Hard Disk Full, Recording/Snapshot Abnormal
External Interface	
Network Interface	1 RJ45 10M/100M self-adaptive Ethernet Interface
USB Interface	Rear panel: 2 x USB2.0
RS232	NA
RS485	NA
Alarm In	NA
Alarm Out	NA
PoE	
Interface	4 RJ-45 10M/100M self-adaptive Ethernet Interface
Max Power	Max 30W for single port Max 54W in total
Supported Standard	IEEE 802.3at, IEEE 802.3af
General	
Power Supply	48V DC Power Consumption: ≤9 W (without HDD)
Working Environment	-10°C ~ + 55°C (+14°F ~ +131°F), Humidity ≤ 90% RH(non-condensing)
Dimensions(W×D×H)	260mm ×240mm × 46 mm (10.2" × 9.4" ×1.8")
Weight (without HDD)	≤1.1kg (2.43lb)
Certification	
Certification	CE, FCC, UL, RoHS, WEEE
CE	EN 55032: 2015, EN 61000-3-3: 2013, EN IEC 61000-3-2: 2019, EN 55035: 2017
FCC	Part15 Subpart B, ANSI C63.4
Model	EC-D4F28M
Camera	
Sensor	1/3", progressive scan, 4.0 megapixel, CMOS
Minimum Illumination	Colour: 0.01Lux (F2.0, AGC ON) 0Lux with IR

Day/Night	IR-cut filter with auto switch (ICR)				
Shutter	Auto/Manual, 1 ~ 1/100000s				
Adjustment angle	Pan 8° to 360°, Tilt: 0° to 68°, Rotate: 10° to 360°				
S/N	>56dB				
WDR	DWDR				
Lens					
Lens Type	2.8mm @2.0, Fixed-focal				
Lens Mount	M12				
Angle of View (H)	97.0°				
Angle of View (V)	52.2°				
Angle of View (O)	107.5°				
DORI					
DORI Distance	Lens (mm)	Detect (m)	Observe (m)	Recognize (m)	Identify (m)
	2.8	63.0	25.2	12.6	6.3
Illuminator					
IR Range	Up to 30m (98ft) IR range				
Wavelength	850nm				
IR On/Off Control	Auto/Manual				
Video					
Video Compression	Ultra 265, H.265, H.264, MJPEG				
H.264 code profile	Baseline profile, Main profile, High profile				
Frame Rate	Main Stream: 4MP (2560*1440), Max 25fps; 3MP (2304*1296), Max 30fps; 1080P (1920*1080), Max 30fps; 720P (1280*720), Max 30fps Sub Stream: D1 (720*576), Max 30fps; 640*360, Max 30fps; 2CIF(704*288), Max 30fps; CIF(352*288), Max 30fps;				
Video Bit Rate	128 Kbps~6144 kbps				
U-code	Supported				
OSD	Up to 4 OSDs				
Privacy Mask	Up to 4 areas				
ROI	Up to 8 areas				
Motion Detection	Up to 4 areas				
Image					
White Balance	Auto/Outdoor/Fine Tune/Sodium Lamp/Locked/Auto2				
Image Setting	Image rotation, brightness, saturation, contrast, sharpness, gain adjustable by web browser				
Digital noise reduction	2D/3D DNR				
Smart IR	Supported				
Flip	Normal/Vertical/Horizontal/180°				
Dewarping	N/A				
HLC	Supported				
BLC	Supported				
Defog	Digital Defog				
Events					
Behavior Detection	Cross line, intrusion(based on human body detection)				
	Motion detection, tampering alarm				
General Function	Watermark, IP address filtering, access policy, ARP protection, RTSP authentication, user authentication				

Storage

Edge Storage	Micro SD, up to 128GB
--------------	-----------------------

Network Storage	ANR, NAS(NFS)
-----------------	---------------

Network

Protocols	IPv4, IGMP, ICMP, ARP, TCP, UDP, DHCP, RTP, RTSP, RTCP, RTMP, DNS, DDNS, NTP, FTP, UPnP, HTTP, HTTPS, SMTP, QoS, SSL/TLS, SNMP
-----------	--

Compatible Integration	ONVIF (Profile S, Profile G, Profile T), API , SDK
------------------------	--

User/Host	Up to 32 users. 2 user levels: administrator and common user
-----------	--

Security	Password protection, Strong password, HTTPS encryption, Export operation logs, Basic and digest authentication for RTSP, Digest authentication for HTTP, TLS 1.2, WSSE and digest authentication for ONVIF
----------	--

Client	EZStation EZView EZLive
--------	-------------------------------

Web Browser	Plug-in required live view: IE9+, Chrome 41 and below, Firefox 52 and below
-------------	---

	Plug-in free live view: Chrome 57.0+, Firefox 58.0+, Edge 16+
--	---

Interface

Network	1 * RJ45 10M/100M Base-TX Ethernet
---------	------------------------------------

Certification

EMC	FCC: FCC Part 15
-----	------------------

Safety	CE: EN 60950-1
	UL: UL60950-1
	IEC 60950-1

General

Power	DC 12V±25%, PoE (IEEE 802.3af)
-------	--------------------------------

	Power consumption: Max 4.0W
--	-----------------------------

Power Interface	∅ 5.5mm coaxial power plug
-----------------	----------------------------

Material	Metal
----------	-------

Working Environment	-30°C ~ 60°C (-22°F ~ 140°F), Humidity: ≤95% RH (non-condensing)
---------------------	--

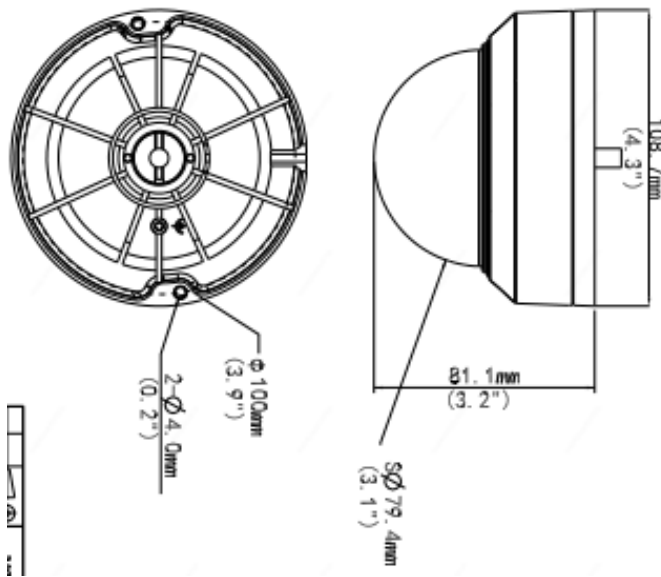
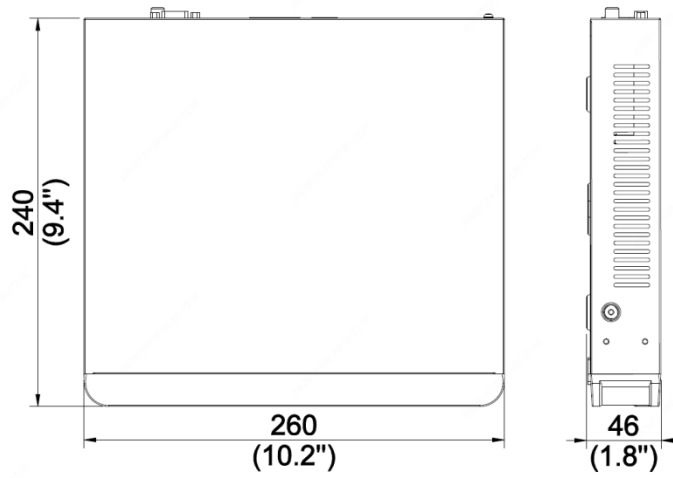
Storage Environment	-30°C ~ 60°C (-22°F ~ 140°F), Humidity: ≤95% RH (non-condensing)
---------------------	--

Surge Protection	4KV
------------------	-----

Reset Button	N/A
--------------	-----

Ingress Protection	Ingression protection: IP67
	Vandal resistant: IK10

Dimensions



Zhejiang Uniview Technologies Co.,Ltd.

No. 369, Xietong Road, Xixing Sub-district, Binjiang District, Hangzhou City, Zhejiang Province, China

Email: overseasbusiness@uniview.com; globalsupport@uniview.com

<http://www.uniview.com>

©2020-2022 Zhejiang Uniview Technologies Co., Ltd. All rights reserved.

Product specifications and availability are subject to change without notice.