

CBA®

Wireless Outlet Controller Manual



Intertek

Conforms to UL 61058-1 and 498A
Certified to CSA C22.2 NO.61058-1 and 42

Model #	Included in kit
LS-313A-14Q	3 Wireless Outlets, 1 Remote
LS-525A-14Q	5 Wireless Outlets, 2 Remotes

Features:

- Wirelessly control devices, appliances, or lamps up to 100ft (30m) away*
- Energy saving – Wireless Outlet draws zero power when off
- Easily expand to multiple devices by pairing to different channels or remotes
- Control multiple outlets with one button, or one outlet with multiple remotes
- Remote is compatible with both Wireless Outlets and Wireless Light Sockets
- Combine several kits for further expansion
- For indoor use only

*Line-of-sight range. Actual range may vary depending on the installation and operating environment.

CBA Wireless Outlet Controller

Parts List:

LS-313A-14Q 3x Wireless Outlets 1x Remote 1x 12VDC (23A) Battery 1x Manual

LS-525A-14Q 5x Wireless Outlets 2x Remotes 2x 12VDC (23A) Batteries 1x Manual

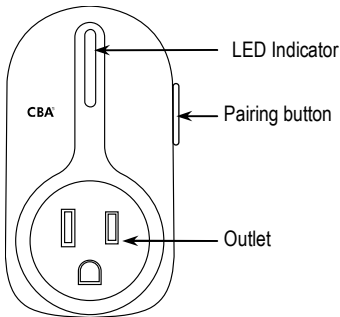
Specifications:

Model	LS-313A-14Q	LS-525A-14Q
Wireless Outlets included	3	5
Remotes included	1	2
# of Remote channels	3	5
Working voltage	120V~/60Hz	
Remote battery	12VDC (23A) (included)	
Max. load for each Wireless Outlet	1200W (10A)	
Transmission frequency	433.92MHz	
Remote range	100ft (30m)*	
Operating temperature	59°~95° F (15°~35° C)	
Dimensions	Wireless Outlet	2 1/8"x3 11/16"x1 7/16" (54x94x36 mm)
	Remote	1 1/2"x4 1/8"x1 1/16" (38x84x18 mm)

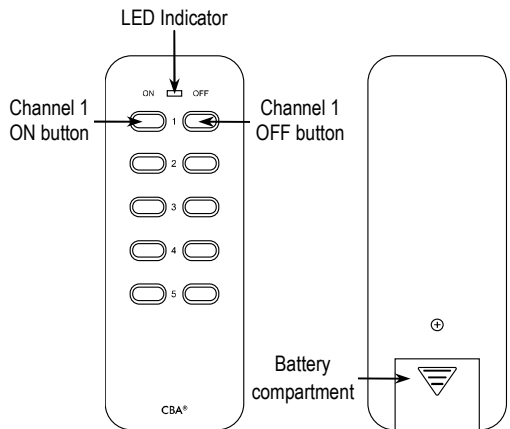
*Line-of-sight range. Actual range may vary depending on the installation and operating environment.

Overview:

Wireless Outlet



Remote
(LS-525A-14Q shown)



Remote Battery Installation:

1. Slide the battery cover on the back of the remote down to reveal the battery compartment.
2. Insert one 12V (23A) battery (included) making sure to observe correct polarity.
3. Slide the battery cover back into place.

Installation and Setup:

1. Each Wireless Outlet is numbered corresponding to one of the remote buttons to which it is paired. Choose one of the Wireless Outlets and plug it into a powered outlet.
2. Plug the desired device or appliance into the Wireless Outlet.
3. To switch the outlet on, simply press the corresponding button on the remote. The outlet may also be controlled manually by pressing the pairing button momentarily.

Pairing with a Remote:

1. To pair additional Wireless Outlets, or to change the channel of an existing Wireless Outlet begin with the Wireless Outlet plugged in.
2. Press and hold the pairing button until the LED indicator begins to flash. Release the pairing button (pairing mode is active for 10 seconds).
3. Press the ON or OFF button on the remote for the desired channel.
4. Pairing is successful when the LED indicator on the Wireless Outlet stops flashing.
5. Repeat with other Wireless Outlets. Multiple outlets may be paired to the same or separate channels. Each outlet may be paired with multiple channels or remotes (up to 3 pairings).

Clearing All Pairings:

1. Unplug any devices connected to the Wireless Outlet and remove it from the power outlet.
2. Press and hold the pairing button on the Wireless Outlet.
3. While holding the pairing button, plug the Wireless Outlet back into a power outlet.
4. Continue holding the pairing button until the LED indicator flashes rapidly, then stops. This indicates that all pairings for that Wireless Outlet have been cleared.

General Operation Instructions:

1. Press the ON button on the remote to turn on all Wireless Outlets on that channel. Press the corresponding OFF button on the remote to turn them off.
2. When power returns after an outage, the Wireless Outlets will remain off until turned on again to reduce the risk of fire and save energy.
3. Wireless outlets can also be turned on/off manually by pressing the pairing button momentarily.

NOTE:

1. Each button on a remote can be paired with an unlimited number of Wireless Outlets, but each Wireless Outlet can only have 3 pairings.
2. Avoid exposure to high temperatures and strong sunlight.
3. Avoid use in areas with high humidity, such as bathrooms.
4. Do not exceed the maximum load of 1200W (10A).
5. If the LED on the remote becomes dim or intermittent, replace the battery.
6. The Wireless Outlets are for indoor use only.

CBA Wireless Outlet Controller

Troubleshooting:

Wireless outlet does not work

- Ensure the Wireless Outlet is powered and any switch for that outlet is on
- Make sure there is a fresh battery in the remote
- Clear outlet pairing and pair with the remote again
- Ensure that the remote is within the range of the outlet
- Ensure that the outlet is in a location with good air ventilation and is not overheated
- Move to another location and try again

Short remote range

- Replace remote battery
- Make sure there is no other RF interference

Also Available from SECO-LARM®:

Wireless Doorbell



AC-132Q

Wireless Motion Alert



RC-135Q

Parking Alert



AS-7021

IMPORTANT: Users and installers of this product are responsible for ensuring this product complies with all national, state, and local laws and statutes related to monitoring and recording audio and video signals. SECO-LARM will not be held responsible for the use of this product in violation of any current laws or statutes.

FCC COMPLIANCE STATEMENT

LS-T341Q FCC ID: Q92-BH-U

LS-T541Q FCC ID: Q92-BH-V

THIS DEVICE COMPLIES WITH PART 15 OF THE FCC RULES. OPERATION IS SUBJECT TO THE FOLLOWING TWO CONDITIONS: (1) THIS DEVICE MAY NOT CAUSE HARMFUL INTERFERENCE AND (2) THIS DEVICE MUST ACCEPT ANY INTERFERENCE RECEIVED, INCLUDING INTERFERENCE THAT MAY CAUSE UNDESIRE OPERATION.

Notice: The changes or modifications not expressly approved by the party responsible for compliance could void the user's authority to operate the equipment.

IMPORTANT NOTE: To comply with the FCC RF exposure compliance requirements, no change to the antenna or the device is permitted. Any change to the antenna or the device could result in the device exceeding the RF exposure requirements and void user's authority to operate the device.

WARRANTY: This SECO-LARM product is warranted against defects in material and workmanship while used in normal service for one (1) year from the date of sale to the original customer. SECO-LARM's obligation is limited to the repair or replacement of any defective part if the unit is returned, transportation prepaid, to SECO-LARM. This Warranty is void if damage is caused by or attributed to acts of God, physical or electrical misuse or abuse, neglect, repair or alteration, improper or abnormal usage, or faulty installation, or if for any other reason SECO-LARM determines that such equipment is not operating properly as a result of causes other than defects in material and workmanship. The sole obligation of SECO-LARM and the purchaser's exclusive remedy, shall be limited to the replacement or repair only, at SECO-LARM's option. In no event shall SECO-LARM be liable for any special, collateral, incidental, or consequential personal or property damage of any kind to the purchaser or anyone else.

NOTICE: The SECO-LARM policy is one of continual development and improvement. For that reason, SECO-LARM reserves the right to change specifications without notice. SECO-LARM is also not responsible for misprints. All trademarks are the property of SECO-LARM U.S.A., Inc. or their respective owners. Copyright © 2017 SECO-LARM U.S.A., Inc. All rights reserved.

SECO-LARM® U.S.A., Inc.

16842 Millikan Avenue, Irvine, CA 92606
Phone: (949) 261-2999 | (800) 662-0800

Website: www.seco-larm.com
Email: sales@seco-larm.com

 PICBN1

MI_LS-xxxxA-14Q_170713.docx