

NXPTZ SERIES2 RANGE, BRACKETS



NXPTZWB

WALL MOUNT BRACKET

Made of AISI 316L electropolished stainless steel

Load rating: 40kg (88lb)

Length: 400mm (15.7in)

Can be coupled with modular components (NXPTZCW, NXPTZCOL).



NXPTZWB

NXPTZCOL

POLE MOUNT ADAPTOR

Made of AISI 316L electropolished stainless steel

For pole diameters: from 110mm (4.3in) up to 150mm (5.9in)

Load rating: 50kg (110lb)

Dimensions: 198x182mm (7.8x7.2in)



NXPTZCOL

NXPTZCW

CORNER MOUNT ADAPTOR

Made of AISI 316L electropolished stainless steel

Load rating: 50kg (110lb)

Dimensions: 335x186mm (13.2x7.3in)



NXPTZCW

NXPTZTW

PARAPET OR CEILING MOUNTING BRACKET

Made of AISI 316L electropolished stainless steel

Load rating: 40kg (88lb)

Dimensions: Ø 238mm (9.4in)



NXPTZTW

TECHNICAL DATA

NXPTZWB

MECHANICAL

Made of AISI 316L electropolished stainless steel

Load rating: 40kg (88lb)

Length: 400mm (15.7in)

Can be coupled with modular components: NXPTZCW, NXPTZCOL

Unit weight: 5.4kg (11.9lb)

PART NUMBER

NXPTZWB AISI 316L stainless steel wall bracket

PACKAGE

Model Number	Weight	Dimensions (WxHxL)	Master carton
NXPTZWB	2.9kg (6.4lb)	43.5x42x20cm (17x16.5x8in)	4

NXPTZCOL

MECHANICAL

Made of AISI 316L electropolished stainless steel

For pole diameters: 110÷150mm (4.3÷5.9in)

Load rating: 50kg (110lb)

Dimensions: 198x182mm (7.8x7.2in)

Unit weight: 4.5kg (9.9lb)

PART NUMBER

NXPTZCOL AISI 316L stainless steel pole adapter module

PACKAGE

Model Number	Weight	Dimensions (WxHxL)	Master carton
NXPTZCOL	4.9kg (10.8lb)	24x15x21.5cm (9.4x6x8.5in)	6

NXPTZCW

MECHANICAL

Made of AISI 316L electropolished stainless steel

Load rating: 50kg (110lb)

Dimensions: 335x186mm (13.2x7.3in)

Unit weight: 3.6kg (7.9lb)

PART NUMBER

NXPTZCW AISI 316L stainless steel corner adapter module

PACKAGE

Model Number	Weight	Dimensions (WxHxL)	Master carton
NXPTZCW	4.8kg (10.6lb)	36.5x25.5x26cm (14.4x10x10.2in)	5

NXPTZTW

MECHANICAL

Made of AISI 316L electropolished stainless steel

Load rating: 40kg (88lb)

Dimensions: Ø 238mm (9.4in)

Unit weight: 2.8kg (6.2lb)

PART NUMBER

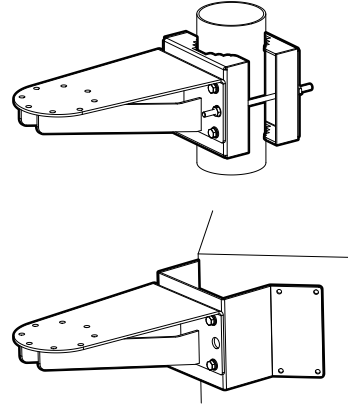
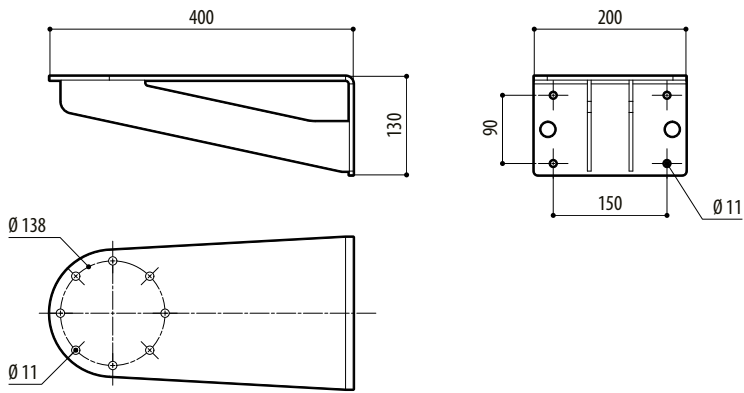
NXPTZTW AISI 316L stainless steel parapet or ceiling mounting bracket

PACKAGE

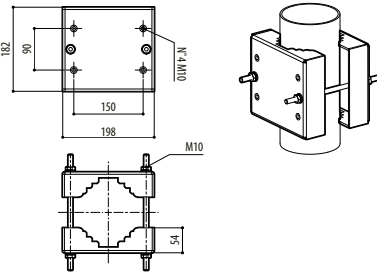
Model Number	Weight	Dimensions (WxHxL)	Master carton
NXPTZTW	3.2kg (7.1lb)	33x27x6.5cm (13x11x2.4in)	-

TECHNICAL DRAWINGS

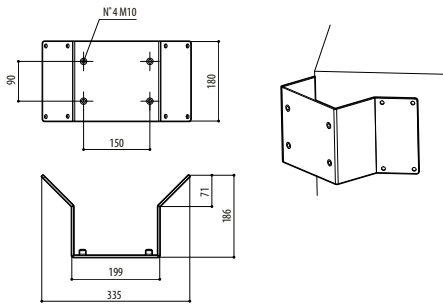
The indicated measurements are expressed in millimetres.



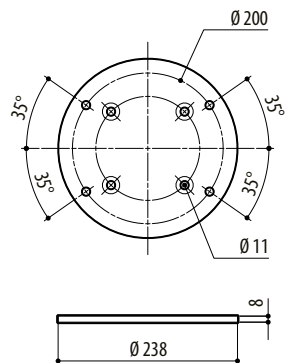
NXPTZWB



NXPTZCOL



NXPTZCW



NXPTZTW