

Q-Series Quick Start Guide

Introduction

The Q-Series is part of exacqVision's series of network video recorders (NVR). The server is pre-installed with exacqVision's video management software, and can connect both IP and analog cameras. The server can connect up to 16 IP cameras and 16 analog cameras.

ⓘ **Note:** You can not replace analog cameras with IP cameras.

Installation

Before turning on the exacqVision Q-Series server, ensure that you meet the following requirements:

Mounting and operating environment requirements

- Mount the exacqVision server in a dust-free, and climate controlled location where the temperature is less than 70°F, and the humidity level is less than 80% non-condensing.
 - ⓘ **Note:** Dust can cause components of the server to overheat, and elevated temperatures can contribute to premature hard drive failures.
- You can place a surge suppressor between the camera and the recorder of all outdoor cameras.
- If you use an outdoor camera, the server must connect permanently to the ground wire. Ensure that you use an 18 AWG wire or larger to make the connection, and that you label the grounding screw near the power connector with the image in Figure .

Figure 1: Grounding wire



Electrical environment requirements

- For maximum reliability, connect the exacqVision server to an online UPS. An online UPS filters power surges and dips that can damage the server.
- Connect a keyboard, monitor, and mouse to the server.
- Connect the exacqVision server network interface cards (NIC) to the appropriate network switch ports.
- It is recommend to use cables with ferrite core for connecting to monitors. If the cable does not have a ferrite core, the unit still performs as expected but may not meet CE safety regulation standards.

Network connection requirements

- If the video surveillance system does not have a physically isolated network, connect all IP cameras and one server NIC to a dedicated camera VLAN.
- Install the camera manufacturer's software on a PC in this subnet, or configure the router to connect a client computer with the camera subnet.

Initial startup

When you start the exacqVision G-Series server for the first time, create a user name and password for the operating system, then create a root user name and password for the Enterprise Manager.

1. Turn on the exacqVision server.
2. Create a user name and password for the operating system when the logon dialog box appears. Configure operating system settings as required.
3. If prompted, log back on to the operating system with the user name and password you just created.
4. When you log back on, an exacqVision dialog box appears on the desktop. Create the exacqVision admin user name and password.
 - ① **Note:** This is not the same as the credentials you created to log on to the operating system. Use these credentials to log on to the exacqVision Server.

Setting up remote access to the servers

To configure the server through a remote exacqVision client, complete the following steps:

1. Download the latest exacqVision Client software from the Exacq website at: <https://www.exacq.com/support/downloads.php>
2. Install the client software on a system administrator computer.
3. Confirm the connectivity with the server using the ping command and the server's IP address. If the client PC can not communicate with the server, contact your network administrator.

Remote access for administrative support

For administrative support to access to the server remotely, configure Remote Desktop (Windows) or SSH (Linux) on your computer. For more information, refer to the following Exacq Knowledge Base articles:

- Using remote desktop to manage Windows-based exacqVision servers: <https://www.exacq.com/kb/?kbid=61687>
- Using Secure Shell (SSH) to manage Linux-based exacqVision servers: <https://www.exacq.com/kb/?kbid=6186>

Configuring the server

To configure the exacqVision server, complete the following steps:

1. Turn on the server.
2. Open the exacqVision client application.
3. From the navigation tree, select **System Setup**, and select the **Network** tab.
4. Choose one of the following options:
 - If you install the server on a network that uses static IP addressing, select **Static** and enter the IP address.
 - If you install the server on a network using DHCP, select **Dynamic**. If the information does not automatically configure, contact your network administrator.
5. Click **Apply**.

What to do next:

Repeat this procedure for any additional network ports. For more information on configuring the server, refer to the *exacqVision Start User Manual*.

Configuring the client

To configure the exacqVision client, complete the following steps:

1. Start the exacqVision client application.
 2. When the local client is launched for the first time, enter the exacqVision user name and password created during initial startup.
 3. Verify that the server appears in the **Systems** list with a status showing **Connected**.
- ⓘ **Note:** If the server does not connect, but you can confirm the server's ability to connect, check for anti-virus software on the remote client machine that may block the communication between the server IP addresses and ports.

Camera connections

To connect cameras to the system, complete the following steps:

1. Connect the analog cameras, PTZ serial cables, or alarm I/O. For more information, see [Connections](#).
ⓘ **Note:** Connections vary by model.
2. Using the camera manufacturer's software, configure the IP address for all the cameras, and record this information for future reference.
ⓘ **Note:** Do not change the username and password until after you establish connectivity with the exacqVision server. For additional information, refer to the camera manufacturer's website or the *exacqVision IP Camera Quick Start Guide* at <http://www.exacq.com/downloads/ev-ip-quickstart-0311.pdf>. You may also find the Quick Start Guide in the Quickstarts directory on the CD that Exacq dispatch with your system.
3. To determine the compatibility of a particular camera model and firmware combination with exacqVision servers, review the camera integration details at: <http://www.exacq.com/support/ipcams.php>
4. Test the connectivity between the camera and the server by completing the following steps:
 - a. Log off from the operating system user account.
 - b. Type the camera's IP address into the address bar on your internet browser.
 - c. Press Enter. If the browser does not display an introductory or logon window, the camera is not establishing a connection with the server. Refer to the *exacqVision User Manual*, and www.exacq.com/kb for a solution if the problem persists.

What to do next: Repeat steps one to four for all other camera connections.

Connections

For information on the exacqVision Q-Series server's Hybrid and IP back panels, see Figure 2, Figure 3 and Table .

Figure 2: Q-Series Hybrid Only System back panel

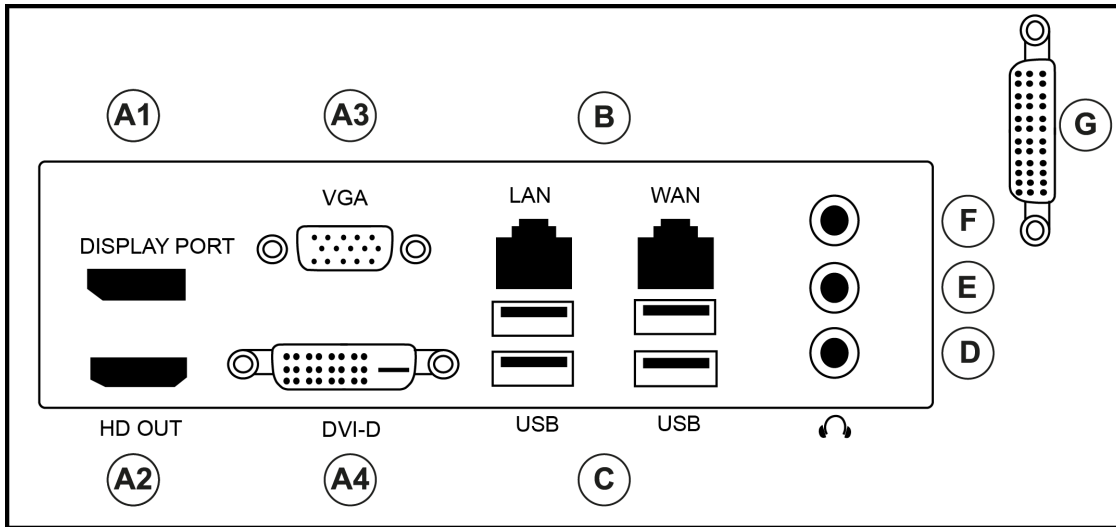
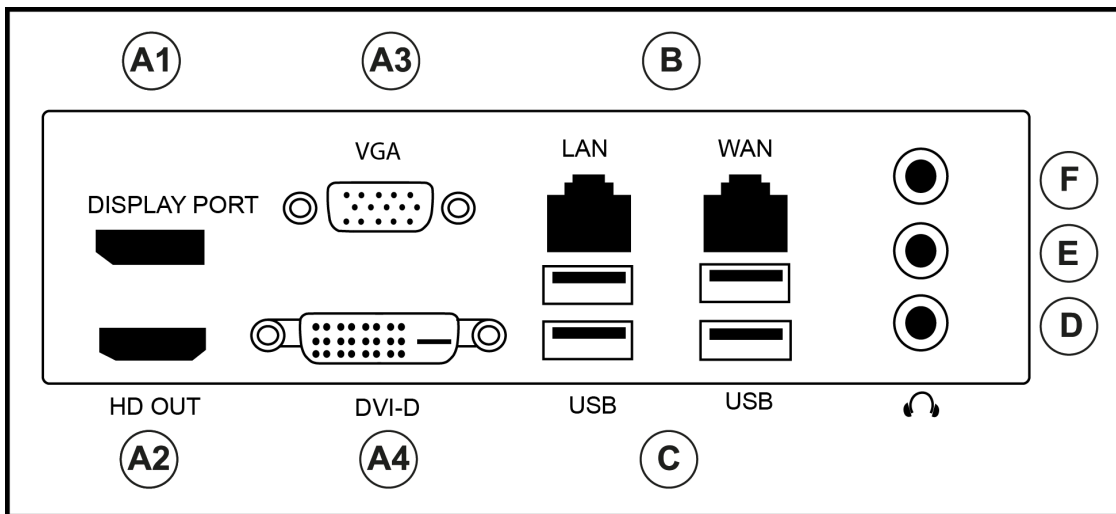


Figure 3: Q-Series IP Only System back panel



The following table describes the ports for both the Q-Series Hybrid and the Q Series IP server.

Table1: Q-Series server back panel

	Name	No. of Ports	Description
A	Video out	4	Display Port (A1), HDMI (A2), VGA (A3), DVI-D (A4). You may use a maximum of two video outputs simultaneously.
B	10/100/1000 Ethernet	2	Dual on-board NICs.
C	USB 3.0	4	USB keyboard, mouse, memory device, or DVD burner.
D	Microphone input	1	Microphone (pink)
E	Audio out	1	Line out (green)
F	Line input	1	Line in (blue)
*G	Video In, Video Out, Audio In	1	8 or 16 video inputs, audio inputs, or video outputs *This port is available for the Q Series Hybrid server only.