

CBA[®]

RA-4961-K1Q

Wireless Alert System

Manual



Kit Includes:

- Wireless Receiver (RA-4961Q)
- Wireless Pushbutton (RA-4961-PBQ)

Features:

- Up to 1,000ft (305m) transmission range*
- 18 Programmable ringtones
- Connect up to 4 wireless transmitter accessories
- Audible and visual alert via built-in speaker and flashing light
- Wall or desktop mountable
- Output terminals for optional auxiliary device
- Each channel independently programmable

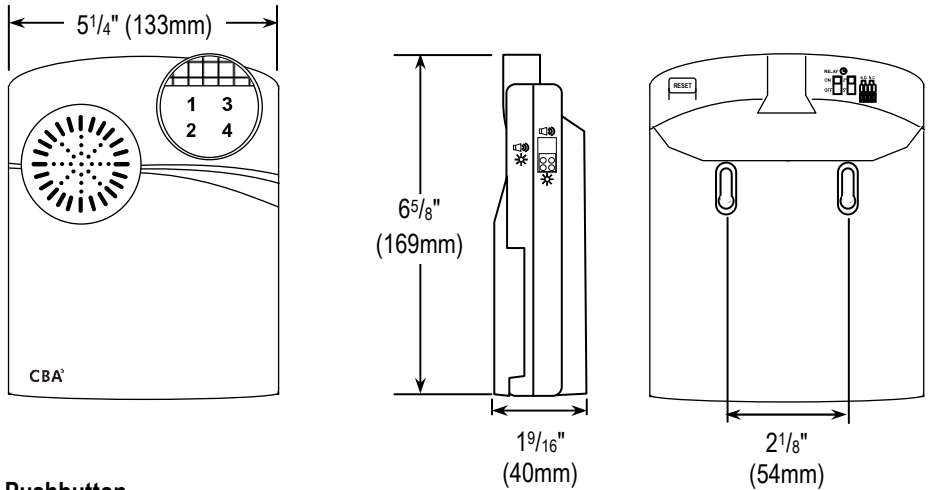
* Transmission range will vary depending on installation and operating environment.

Table of Contents:

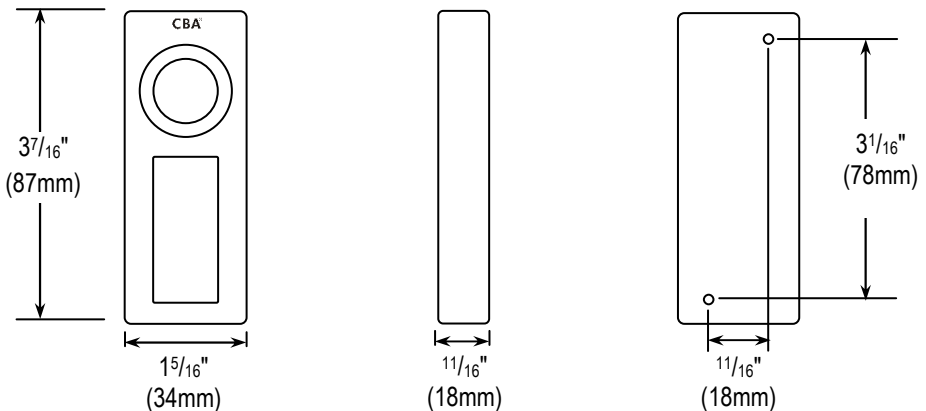
Dimensions.....	2	Pairing Accessories.....	6
Parts List.....	3	Deleting Paired Accessories.....	7
Specifications.....	3	Changing the Ringtone and Volume.....	7
Overview.....	4	Setting the Notification Mode.....	7
Installing the Receiver.....	5	Wiring an Auxiliary Device.....	8
Installing the Pushbutton.....	5	Optional Accessories.....	8
Replacing the Pushbutton Battery.....	6	Warranty.....	8

Dimensions:

Receiver



Pushbutton



Parts List:

- 1x Wireless alert receiver (RA-4961Q)
- 1x Wireless pushbutton (RA-4961-PBQ)
- 1x Manual
- 1x CR2032 battery for wireless pushbutton (RA-4961Q batteries not included)

Specifications:

Receiver (RA-4961Q)

Model number		RA-4961Q
Frequency		914.8MHz
Channels		4
Accessories per channel		1
Relay output (Channel 4 only)		1 (Form C Relay), 1A@50VDC
Power supply		3 "C" batteries or 6VDC power adapter (Both not included)
Current draw	Standby	0.3mA
	Max	220mA
Estimated battery life		270 days (3 triggers/day)
Receiver low battery indicator		Notification LED flashes every 5 seconds
Accessory low battery indicator		Zone LED for accessory blinks continuously
Sound level (dB)		Up to 96dB@1ft(30cm)
Operating temperature		32°~140° F (0°~60° C)
Dimensions		5 1/4"x1 9/16"x6 5/8" (133x40x169 mm)

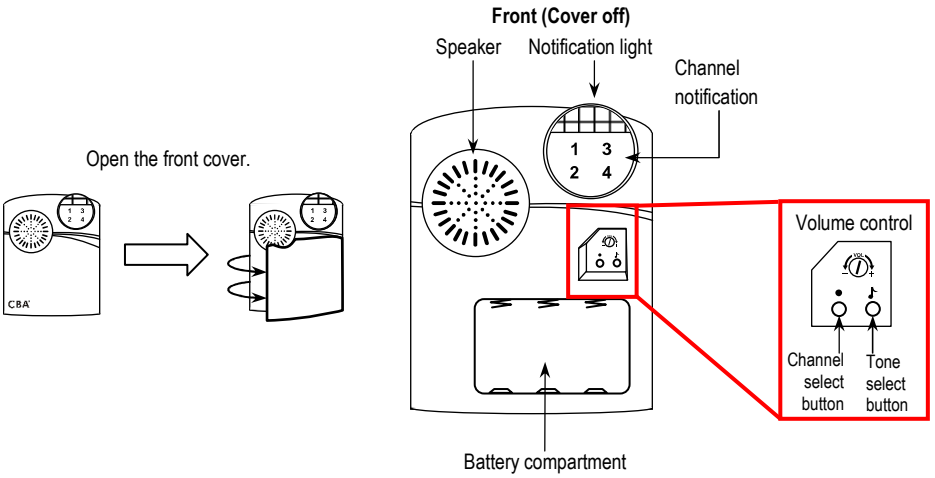
Pushbutton (RA-4961-PBQ)

Model number		RA-4961-PBQ
Frequency		914.8MHz
Transmission range*		Up to 1,000ft (305m)
Channels		1
Power supply		CR2032 Battery (included)
Current draw	Standby	0.2µA
	Active	16mA
Estimated battery life		400 days (3 triggers/day)
Low battery indicator		Zone LED on receiver blinks continuously
IP rating		IP45
Operating temperature		-4°~140° F (-20°~60° C)
Dimensions		1 5/16"x1 11/16"x3 7/16" (34x18x87 mm)

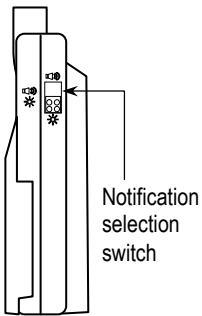
*Transmission range will vary depending on installation and operating environment.

Overview:

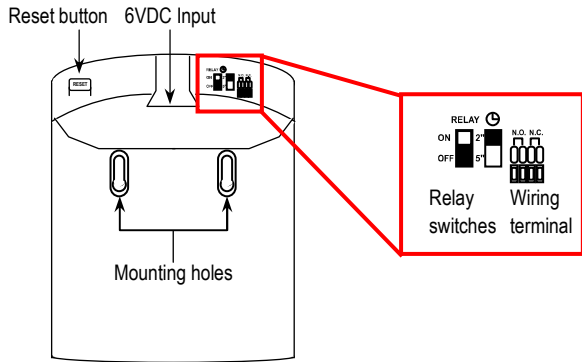
Receiver



Side

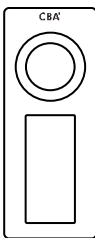


Rear

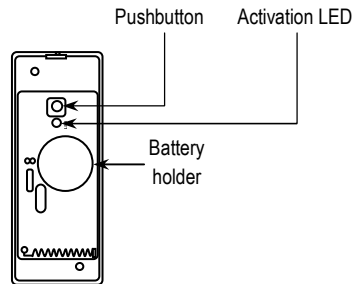


Pushbutton

Front (Cover on)



Front (Cover off)

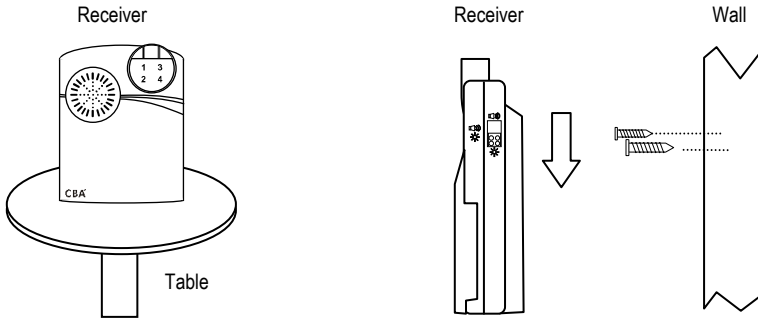


Installing the Receiver:

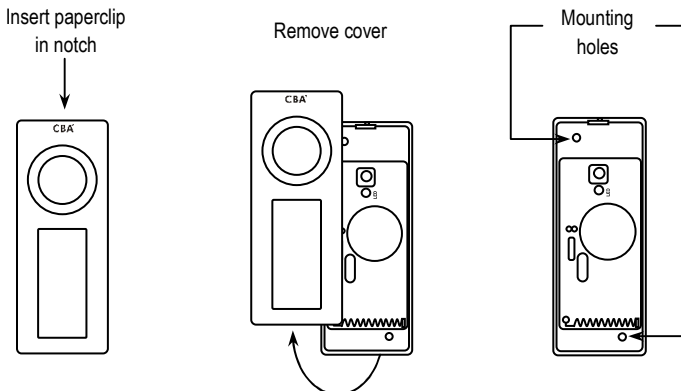
1. Open the front cover of the receiver unit.
2. Determine how the receiver will be powered. Either insert three "C" batteries (observing correct polarity, not included) or connect to 6VDC power supply (not included). Low battery is indicated when the notification light flashes once every 5 seconds.
3. Program pushbutton and any other accessories (see *Pairing Accessories* pg. 6).
4. Receiver may either be placed on a table or other surface, or it may be mounted on a wall.

For Wall Mounting

1. Hold the receiver unit against the wall to get an idea of where the receiver should be installed.
2. Install 2 screws (not included) on the wall $2\frac{5}{16}$ " (58mm) apart.
3. Hang the receiver on the screws.

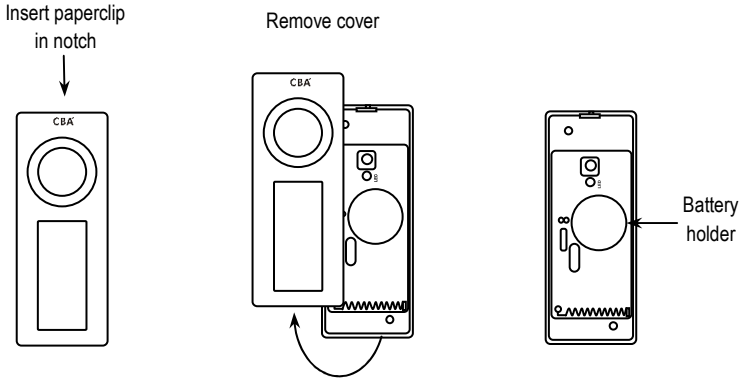
**Installing the Pushbutton:**

1. Remove the front cover of the pushbutton by inserting a paperclip in the notch at the top of the unit. Push down on the paperclip with force and pull the top of the front cover from the pushbutton.
2. Mount the pushbutton to a wall or other surface using screws (not included) through the two mounting holes.
3. Once the pushbutton has been mounted, snap the front cover onto the unit.



Replacing the Pushbutton Battery:

1. Remove the front cover of the pushbutton by inserting a paperclip in the notch at the top of the unit. Push down on the paperclip with force and pull the top of the front cover from the pushbutton.
2. If there is a previous battery installed, use a fingernail or small object to remove the battery from the battery holder.
3. Slide a CR2032 battery into the battery holder, making sure to observe correct polarity (positive faces out).
4. Snap the front cover onto the pushbutton.



Note: Low battery for this and other accessories is shown on the receiver. When an accessory battery is low, the zone LED for that accessory will blink continuously.

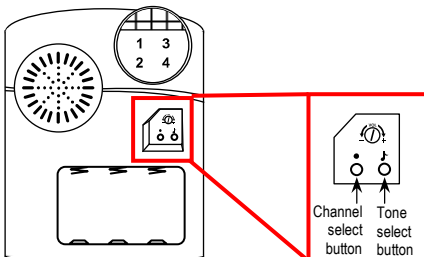
Pairing Accessories:

1. Enter programming mode by holding down the channel select button until the Channel 1 LED flashes on the channel notification panel.
2. Press the channel select button to cycle through channels until the desired channel is selected.
3. Press the tone select button to cycle through ringtones until the desired ringtone is selected.
4. Trigger the pushbutton or other accessory. Once the accessory is triggered, the receiver will be indicating the units have been paired. If another channel lights up, this accessory is already programmed on the indicated channel.

Note: If pairing an accessory to a channel that is already paired with another accessory, the original paired accessory will be deleted.

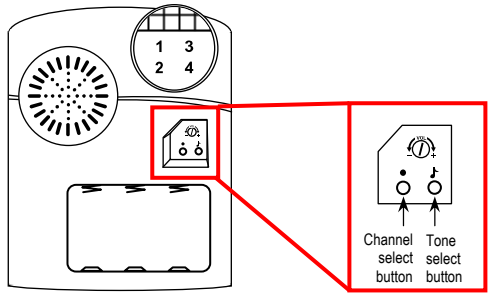
5. Press the channel select button to move to the next channel or to exit pairing mode.

Note: If no activity for 30 seconds the receiver will automatically exit pairing mode.



Deleting Paired Accessories:

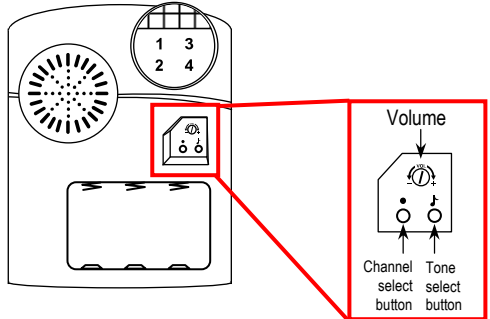
1. Enter programming mode by holding down the channel select button until the Channel 1 LED flashes on the channel notification panel.
2. Press the channel select button to cycle through channels until the desired channel is selected.
3. Press and hold the channel select and tone select buttons simultaneously until a beep is heard and the channel LED flashes. Press channel select button to exit pairing mode. If no actions within 30 seconds, the receiver will automatically exit the pairing mode.



Note: The reset button is used to reset a channel after it has been triggered. It is not used to clear any programming.

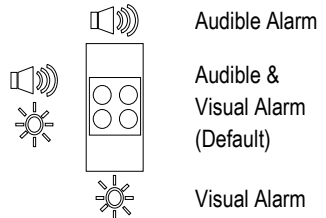
Changing the Ringtone and Volume:

1. Enter programming mode by holding down the channel select button until the Channel 1 LED flashes on the channel notification panel.
2. Press the channel select button to cycle through channels until the desired channel is selected.
3. Press the tone select button to cycle through ringtones until the desired ringtone is selected.
4. Press the channel select button to exit programming mode.
5. To adjust volume, use a small screwdriver to adjust the volume knob.



Setting the Notification Mode:

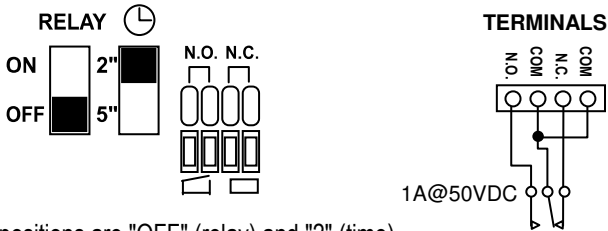
1. The wireless alert receiver has three modes – Audible Alarm, Visual Alarm, and Audible and Visual Alarm.
2. When the Notification selection switch is flipped to Audible Alarm the receiver speaker will sound and the zone LED will light up.
3. When the switch is flipped to Audible and Visual Alarm the receiver's speaker will sound, the notification LED will light up, and the zone LED will light up.
4. When the switch is flipped to Visual Alarm the receiver's notification LED will flash and the zone LED will light up.



CBA Wireless Alert System

Wiring an Auxiliary Device:

1. To connect an auxiliary notification device to channel 4, flip the left (relay) switch to "ON".
2. Flip the right (time) switch to 2 for a 2-second activation time or 5 for a 5-second activation time.
3. Wire the auxiliary device to the wiring terminal according to the diagram below.
4. When channel 4 is activated, the auxiliary device will also be triggered.



Note: Default positions are "OFF" (relay) and "2" (time).

Optional Accessories:



Wireless Outdoor PIR Sensor

RA-4961-DSQ



Wireless Mailbox/Tilt Sensor

RA-4961-MBQ



Wireless Magnetic Contact

RA-4961-MCQ



Wireless Indoor PIR Sensor

RA-4961-PRQ



Wireless Pushbutton

RA-4961-PBQ



Wireless Vibrating Receiver

RA-4961-VPQ

FCC COMPLIANCE STATEMENT:

RA-4961-PBQ FCC ID: YAHDCX-800

THIS DEVICE COMPLIES WITH PART 15 OF THE FCC RULES. OPERATION IS SUBJECT TO THE FOLLOWING TWO CONDITIONS: (1) THIS DEVICE MAY NOT CAUSE HARMFUL INTERFERENCE AND (2) THIS DEVICE MUST ACCEPT ANY INTERFERENCE RECEIVED, INCLUDING INTERFERENCE THAT MAY CAUSE UNDESIRE OPERATION. Notice: The changes or modifications not expressly approved by the party responsible for compliance could void the user's authority to operate the equipment. **IMPORTANT NOTE:** To comply with the FCC RF exposure compliance requirements, no change to the antenna or the device is permitted. Any change to the antenna or the device could result in the device exceeding the RF exposure requirements and void user's authority to operate the device.

LIMITED WARRANTY: This SECO-LARM product is warranted against defects in material and workmanship while used in normal service for one (1) year from the date of sale to the original customer. SECO-LARM's obligation is limited to the repair or replacement of any defective part if the unit is returned, transportation prepaid, to SECO-LARM. This Warranty is void if damage is caused by or attributed to acts of God, physical or electrical misuse or abuse, neglect, repair or alteration, improper or abnormal usage, or faulty installation, or if for any other reason SECO-LARM determines that such equipment is not operating properly as a result of causes other than defects in material and workmanship. The sole obligation of SECO-LARM and the purchaser's exclusive remedy, shall be limited to the replacement or repair only, at SECO-LARM's option. In no event shall SECO-LARM be liable for any special, collateral, incidental, or consequential personal or property damage of any kind to the purchaser or anyone else.

NOTICE: The information and specifications printed in this manual are current at the time of publication. However, the SECO-LARM policy is one of continual development and improvement. For this reason, SECO-LARM reserves the right to change specifications without notice. SECO-LARM is also not responsible for misprints or typographical errors. Trademarks are the property of SECO-LARM USA Inc. or their respective owners.

Copyright © 2015 SECO-LARM U.S.A., Inc. All rights reserved. This material may not be reproduced or copied, in whole or in part, without the written permission of SECO-LARM.

SECO-LARM® U.S.A., Inc.

16842 Millikan Avenue, Irvine, CA 92606

Website: www.seco-larm.com



Phone: (949) 261-2999 | (800) 662-0800

Email: sales@seco-larm.com

MIRA-4961-K1Q_151001.doc