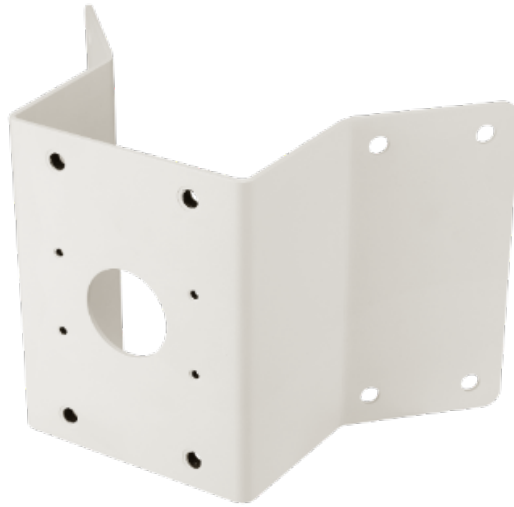


SBP-300KM1

Corner Mount



FC |  | CE | ENEC

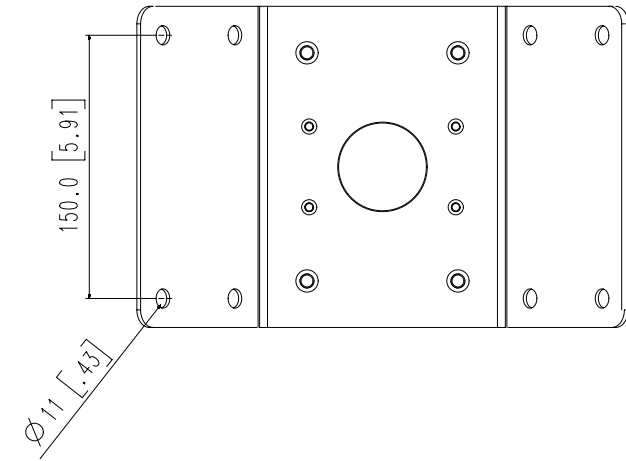
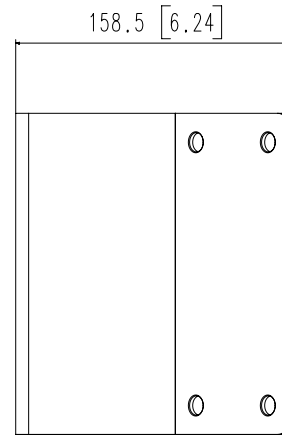
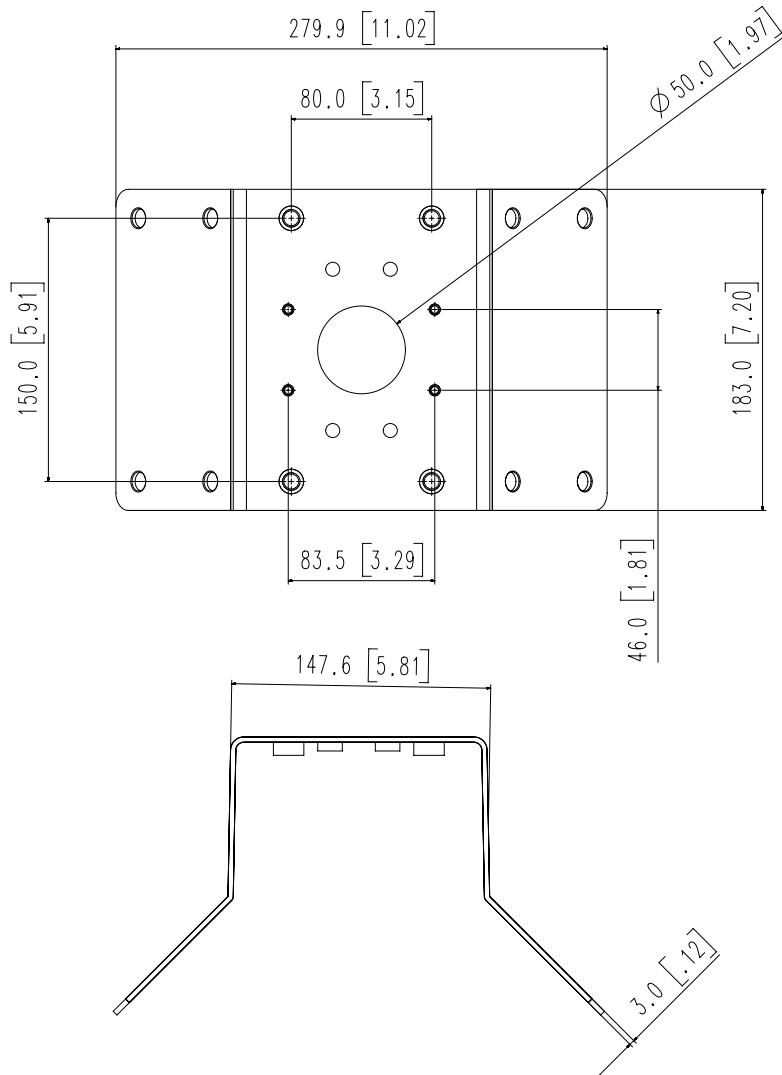
Key Features

- Material: Aluminum
- Dimensions : 280(W)x183(H)x159(D)mm(11.02"x7.20"x6.26")
- Weight : 800g(1.76 lb)
- Color : Ivory
- Supported products : XNV-6120R
- For further compatible models, please check out Wisenet Toolbox Plus

Mechanical

Color	Ivory
Material	Aluminum
Product dimensions / weight	280(W)x183(H)x159(D)mm(11.02"x7.20"x6.26"), 800g(1.76 lb)

- The latest product information / specification can be found at hanwha-security.com
- Design and specifications are subject to change without notice.
- Wisenet is the proprietary brand of Hanwha Techwin, formerly known as Samsung Techwin.



2	SBP-300KM1	22.01.03
1	SBP-300KM1	22.01.03
No.	MODEL NAME	DATE
Unit:mm[inch] SCALE:1/1		© Hanwha Techwin