

ENFORCER®

Mortise Cylinder Key Switches with LED

Installation Manual



Both models are identical in appearance



Model	Switch Type	Output
SD-72231-6MQ	DPDT	Maintained
SD-72281-6MQ	DPDT	Momentary

If a keypad or proximity card reader fails to activate an electronic lock, the user can switch between normally closed (N.C.) and normally open (N.O.) contacts using the ENFORCER Single-Gang Mortise Cylinder Key Switches with LED (available with either momentary or maintained outputs), forcing the door to open. This acts as a backup for access control systems, so that the system does not rely on the integrity of a single device.

- Keyed mortise cylinder (2 keys included)
- Mortise cylinder removable for ease of keying
- Red (standby) and green (triggered) LEDs
- Flush mount with vandal-resistant security screws
- Chrome-plated aluminum back plate fits to single-gang back box
- Stainless steel front cover conceals mounting screws
- DPDT, 25A@24VAC contact rating
- Color-coded wires for easy wiring
- Maintained (SD-72231-6MQ) or momentary (SD-72281-6MQ) output

Parts List

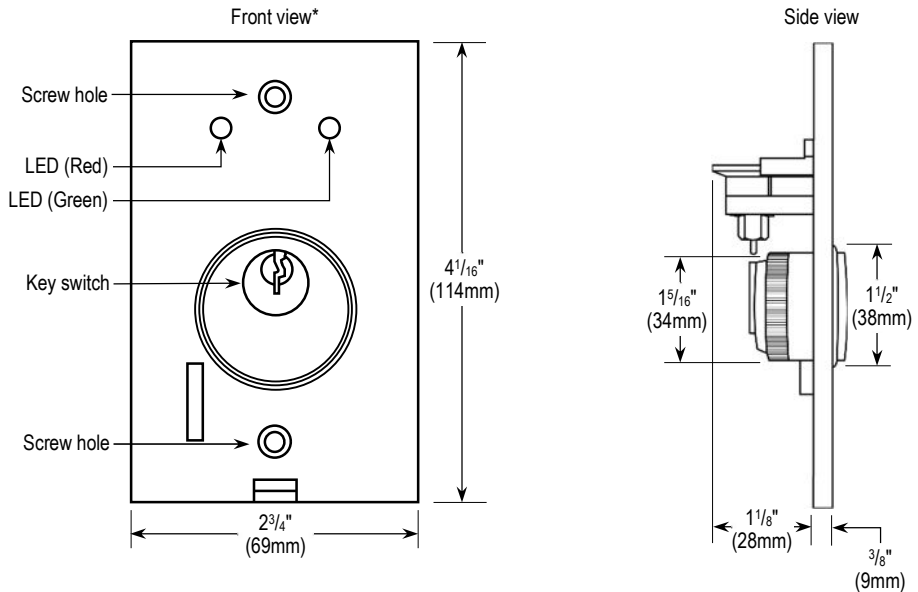
1x Front cover	1x Back plate	2x Security screws	1x Security wrench
2x Keys*	1x Varistor	1x Manual	

*No replacement keys are available. Please make replacement copies of your keys and store them in a safe place.

Specifications

Model	SD-72231-6MQ	SD-72281-6MQ
Switch type	DPDT Switch	
LED Indicators	Red (standby) and green (triggered)	
Output	Maintained	Momentary
Contact switch	25A@24VAC, NO/NC	
Dimensions	2 ³ / ₄ "x4 ¹ / ₂ "x1 ⁷ / ₁₆ " (69x114x37 mm)	

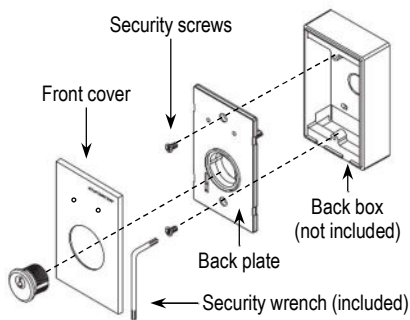
Overview



***NOTE:** Shown without cover.

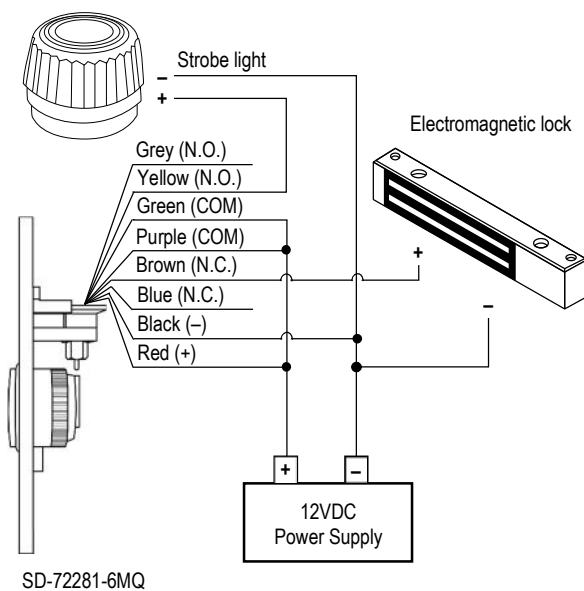
Installation

1. Remove the front cover from the unit.
2. Thread the cable wire through the electrical box.
3. Connect the wires to the switch using the wiring diagram below.
4. Fasten the back plate to the electrical box using the included security screws.
5. Finish assembly by snapping the front cover onto the back plate.



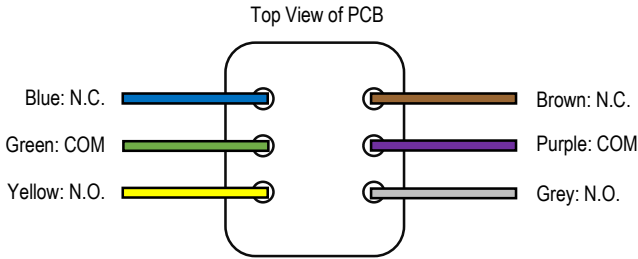
Sample Application

1. An electromagnetic lock is connected to the normally closed (N.C.) side of one of the switch outputs of the SD-72281-6MQ.
2. A strobe light is connected to normally open (N.O.) side of the other switch output of the SD-72281-6MQ.
3. Activating the switch of the SD-72281-6MQ will unlock the electromagnetic lock and trigger the strobe light.



NOTE: The above application is an example of a momentary output. If a maintained output is required, then use the SD-72231-6MQ instead.

Wiring Diagram



IMPORTANT: Users and installers of this product are responsible for ensuring that the installation and configuration of this product complies with all national, state, and local laws and codes. SECO-LARM will not be held responsible for the use of this product in violation of any current laws or codes.

IMPORTANT WARNING: Incorrect mounting which leads to exposure to rain or moisture inside the enclosure could cause a dangerous electric shock, damage the device, and void the warranty. Users and installers are responsible for ensuring that this product is properly installed and sealed.

California Proposition 65 Warning: These products may contain chemicals which are known to the State of California to cause cancer and birth defects or other reproductive harm. For more information, go to www.P65Warnings.ca.gov.

WARRANTY: This SECO-LARM product is warranted against defects in material and workmanship while used in normal service for one (1) year from the date of sale to the original customer. SECO-LARM's obligation is limited to the repair or replacement of any defective part if the unit is returned, transportation prepaid, to SECO-LARM. This Warranty is void if damage is caused by or attributed to acts of God, physical or electrical misuse or abuse, neglect, repair or alteration, improper or abnormal usage, or faulty installation, or if for any other reason SECO-LARM determines that such equipment is not operating properly as a result of causes other than defects in material and workmanship. The sole obligation of SECO-LARM and the purchaser's exclusive remedy, shall be limited to the replacement or repair only, at SECO-LARM's option. In no event shall SECO-LARM be liable for any special, collateral, incidental, or consequential personal or property damage of any kind to the purchaser or anyone else.

NOTICE: The SECO-LARM policy is one of continual development and improvement. For that reason, SECO-LARM reserves the right to change specifications without notice. SECO-LARM is also not responsible for misprints. All trademarks are the property of SECO-LARM U.S.A., Inc. or their respective owners. Copyright © 2023 SECO-LARM U.S.A., Inc. All rights reserved.

SECO-LARM® U.S.A., Inc.

16842 Millikan Avenue, Irvine, CA 92606
Phone: (949) 261-2999 | (800) 662-0800

Website: www.seco-larm.com
Email: sales@seco-larm.com

 PITGW1

MI_SD-722x1-6MQ_230607.docx