

ENFORCER[®]

SD-962AR-36G

Grade 1 Rim-Type Exit Device

Manual



Panic Hardware
51X4



- Heavy-duty ANSI Grade 1 steel construction
- Allows exit from inside while locked from outside
- Reversible non-handed design
- For metal or wood doors up to 1³/₄" (44mm) thick
- Separate deadlocking latch prevents the use of credit cards or similar means to open the latch bolt
- Fits doors from 33" to 48" (84~122 cm) wide
- Hex-type 1/4-turn dogging lock allows the exit device to be unlocked for extended period of time
- Includes all needed hardware for typical installation
- Works with standard external door handle/lock devices (not included)

ENFORCER Grade 1 Rim-Type Exit Device

Introduction:

The ENFORCER **SD-962AR-36G** Rim-Type Exit Device, when mounted on the inside of a door to block entry to a protected premises, securely locks the door from outside access while allowing users inside the protected premises to exit.

The stainless steel enclosure protects the exit device from abuse, yet easily unlocks the door from the inside by users who require exit. It can be connected to an entry-type lever trim or to any physical locking device on the outside of the door in order to allow entry to authorized personnel.

Specifications:

Construction	ANSI Grade 1 steel
For doors	1 ³ / ₄ " (44mm) thick, wood or metal
Hand	Non-handed
Latch bolt	Stainless steel, 3/4" (19mm) throw
Dead latch	Stainless steel 5/8" (16mm) throw
Strike	For 5/8" (16mm) stop
Spring	Stainless steel
Chassis	Plated steel
Cover	Plated zinc cast
Rail assembly	Aluminum
End cap	Plated zinc cast
Dogging	Hex-type dogging standard
Dimensions	33"x8"x2 ³ / ₁₆ " (838x203x56 mm)
Weight	9-lb 12-oz (4.4kg)

Parts List:

- 1x Grade 1 Rim-Type Exit Device
- 1x Manual
- 1x Mounting template
- 1x Strike
- 1x Hex key
- 1x End cap
- 1x End cap bracket
- Mounting hardware (see below)

Screws Included:

Mounting chassis to door:

- 4x 1/4"x3/4" machine screws
- 4x 1/4"x3/4" wood screws
- 4x sex bolts

Connecting end cap to end cap bracket:

- 2x M4x6mm machine screws

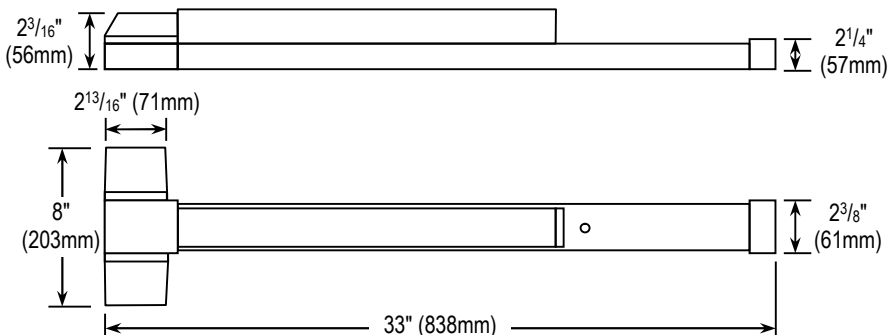
Mounting end cap bracket to door:

- 2x 1/4"x3/4" machine screws
- 2x 1/4"x3/4" wood screws

Mounting strike to door:

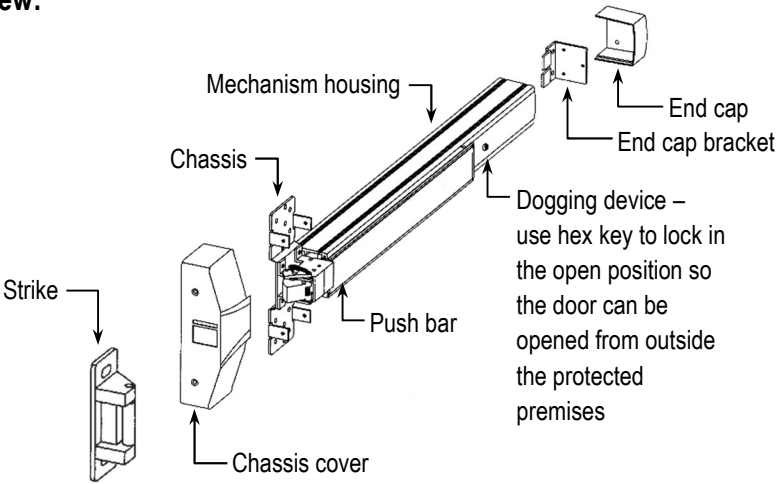
- 2x 1/4"x3/4" machine screws
- 2x 1/4"x3/4" wood screws
- 1x #12x3/4" machine screw

Dimensions:

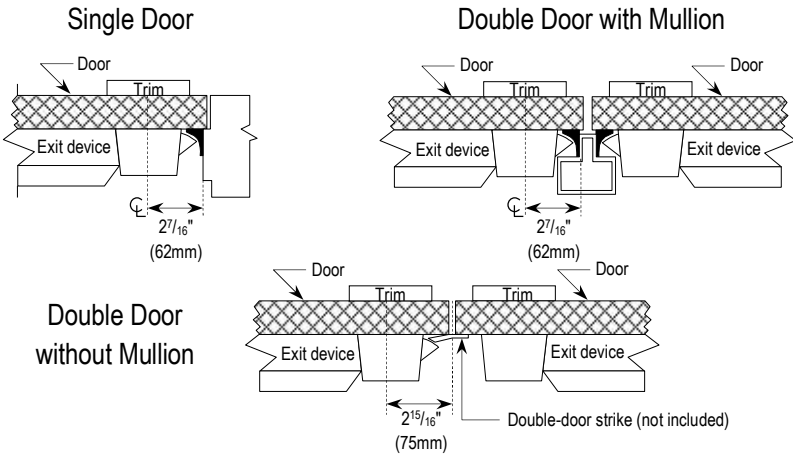


ENFORCER Grade 1 Rim-Type Exit Device

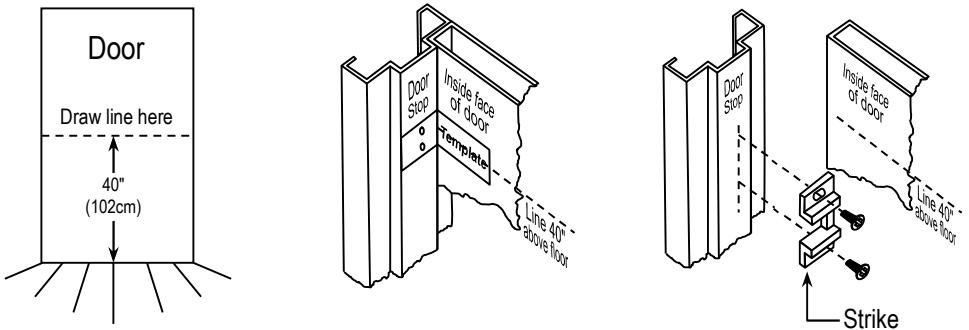
Overview:



Sample Applications:

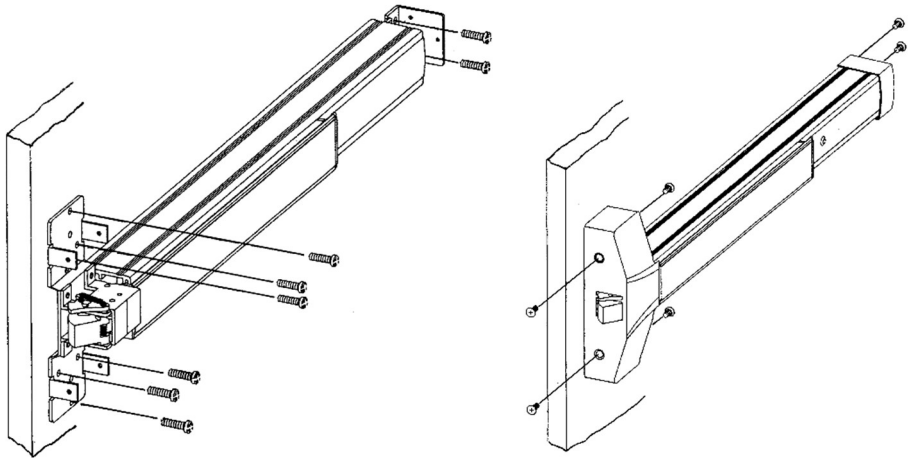


Mounting:



ENFORCER Grade 1 Rim-Type Exit Device

Final Installation:



NOTE: Diagram shows 6 screws for mounting the chassis. Product only includes 4 screws. For best results, use 6 screws.

1. Mark the vertical center line of the exit bar by drawing a line across the door at 40" above the floor. See "Mounting" on page 3.
2. Fold the included template, and align the center lines on the template with the center line drawn on the door. Then mark the position of the mounting holes for the latch assembly. See "Mounting" on page 3.
3. Move the template against the door stop and then mark the mounting holes for the strike.
4. Drill the holes as marked on the door and the mullion. See "Mounting" on page 3.

WARNING: Incorrect mounting that leads to exposure or moisture inside the enclosure could damage the device and will void the warranty.

WARNING: Un montage incorrect qui conduit à une exposition à la pluie ou à l'humidité à l'intérieur de l'enceinte pourrait endommager l'appareil et annuler la garantie.

LIMITED WARRANTY: This SECO-LARM product is warranted against defects in material and workmanship while used in normal service for one (1) year from the date of sale to the original customer. SECO-LARM's obligation is limited to the repair or replacement of any defective part if the unit is returned, transportation prepaid, to SECO-LARM. This Warranty is void if damage is caused by or attributed to acts of God, physical or electrical misuse or abuse, neglect, repair or alteration, improper or abnormal usage, or faulty installation, or if for any other reason SECO-LARM determines that such equipment is not operating properly as a result of causes other than defects in material and workmanship. The sole obligation of SECO-LARM and the purchaser's exclusive remedy, shall be limited to the replacement or repair only, at SECO-LARM's option. In no event shall SECO-LARM be liable for any special, collateral, incidental, or consequential personal or property damage of any kind to the purchaser or anyone else.

NOTICE: The SECO-LARM policy is one of continual development and improvement. For that reason, SECO-LARM reserves the right to change specifications without notice. SECO-LARM is also not responsible for misprints. All trademarks are the property of SECO-LARM U.S.A., Inc. or their respective owners. Copyright © 2020 SECO-LARM U.S.A., Inc. All rights reserved.

SECO-LARM® U.S.A., Inc.

16842 Millikan Avenue, Irvine, CA 92606

Website: www.seco-larm.com



Phone: (949) 261-2999 | (800) 662-0800

Email: sales@seco-larm.com

MI_SD-962AR-36G_200512.docx