

VERSO POLAR

CAMERA HOUSING FOR EXTREMELY LOW TEMPERATURE



IP66

IP67

TYPE
4X

IK10



DESCRIPTION

Sturdy, tamper-proof housing designed to simplify installation and service and guarantee total protection against all environmental conditions.

This housing is provided with a high performance heating system which it will continue working at even the most severe temperatures, right down to -55°C (-67°F).

Entirely constructed from technopolymer, it guarantees high impact resistance and perfect weather protection from external agents and UV rays.

Its dimensions make it suitable for a variety of combinations of cameras and lenses.

Very easy to install thanks to the side-opening system that allows the full access to the camera, lenses and all internal connections.

A wide range of accessories for mounting the equipment is available thereby satisfying all installation needs.

MAIN FEATURES

High-performance operation, down to -55°C (-67°F)

IP66/IP67 (with cable glands or optional sealing rings)

Vandal-proof protection (IK10)

3 nickel-plated brass cable glands with standard bracket

Available accessories: camera power supply

TECHNICAL DATA

GENERAL

Made of strong technopolymer (polycarbonate)
Sunshield in ABS
RAL9002 Colour
Stainless steel external screws

MECHANICAL

Internal usable area (WxH): 70x70mm (2.7x2.7in)
Internal usable length (with or without accessories): 270mm (10.6in)
Cable glands: 3xM16 (nickel-plated brass for external connections)
Polycarbonate window (WxH): 105x64mm (4.1x2.5in)
Unit weight: 1.5kg (3.3lb)

ELECTRICAL

Supply voltage/Current consumption (version with heater, Ton 15°C±3°C (59°F ±5°F), Toff 22°C±3°C (72°F±5°F)):

- From 12Vdc up to 24Vdc, 5A max
- From 12Vac up to 24Vac, 5A max, 50/60Hz
- From 120Vac up to 230Vac, 700mA max, 50/60Hz

Camera power supply:

- IN from 100Vac up to 240Vac, 50/60Hz - OUT 12Vdc, 1.25A
- IN 230Vac, 50Hz - OUT 24Vac, 50Hz, 400mA

ENVIRONMENT

For indoors and outdoors installation
Operating temperature (with heater): From -55°C (-67°F) up to +60°C (140°F)
Chemical agents resistance

- High resistance: basics, alcohols, gas, hydrocarbon
- Good resistance: Organic acids, inorganic acids, oils
- Low resistance: Solvents

Relative humidity: from 5% up to 95%

CERTIFICATIONS

Electrical safety (CE): EN60950-1, IEC60950-1, EN62368-1, IEC62368-1
Electromagnetic compatibility (CE): EN50130-4, EN61000-6-3, EN55032 Class B, FCC Part. 15 Class B, ICES-003 Class B
Outdoor installation (CE): EN60950-22, IEC 60950-22
IP protection degree (EN60529):

- IP66 (with cable glands)
- IP66 (with bracket with internal cable channel, with sealing rings)
- IP55 (with bracket with internal cable channel)

IK protection degree: EN62262, IK10
UL certification:

- cULus Listed, TYPE 4X
- UL94, V1 (fire-self extinguish)

EAC certification

ACCESSORIES

OHEPS19B	Wide range camera power supply IN 100-240Vac - OUT 12Vdc, 1.25A, for VERSO, VERSO POLAR, VERSO COMPACT, HEG, HTG housings
OHEPS20	Camera power supply IN 230Vac - OUT 24Vac, 10VA, for VERSO, VERSO POLAR, VERSO COMPACT, HEG, HTG housings
OHEGBPS1B	Wide range camera power supply IN 100-240Vac - OUT 12Vdc, 1.25A, in weatherproof box, for VERSO, VERSO POLAR, HEG, HTG housings
OHEGBPS2B	Camera power supply IN 230Vac - OUT 24Vac in weatherproof box, 10VA, for VERSO, VERSO POLAR, HEG, HTG housings
OWBIP2	Sealing rings kit (3xM16) IP66 for WBOVA2 and WCM4A2 brackets for PUNTO, HOV, HTV, VERSO, VERSO POLAR, VERSO COMPACT, HEB, HEK housings
OHEGBB	Weatherproof junction box
OSUPPIR	Support for 1 GEKO IRH illuminator under the housing (the combination between OSUPPIR and WBOVA2 wall mount is not compatible with the PUNTO housing)

BRACKETS AND ADAPTORS

WBJA	Wall mount bracket
WBOVA2	Wall bracket with internal cable channel
WBOV3A2	Wall bracket with internal cable channel, counterplate and support box, not compatible with OHEBVF1, OHEBVF2 and OHEBVF3
WCM3A	Ceiling bracket with ball joint
WCM5A	Ceiling bracket with ball joint
WCM4A2	Ceiling bracket with internal cable channel
WCMPA	Linear extension for WCM4A2 and WCM5A
WFWCA	Column bracket with joint
DBHWGC	Pole adapter Ø 210mm, max 225mm (8.2in, max 8.9in). To be combined with the reinforcing support plate WCPA.
WCWA	Corner mount adaptor
WSFPA	Pole mount adaptor
WCPA	Reinforcing support plate for poor consistency walls
NXWTU	Wall adaptor module in stainless steel AISI 316L

SPARE PARTS

OHPVS42A000	Sunshield
DOTHPV04	Cable glands, screws and spacers for camera and lens
OHPV42CS04	Complete upper body

PACKAGE

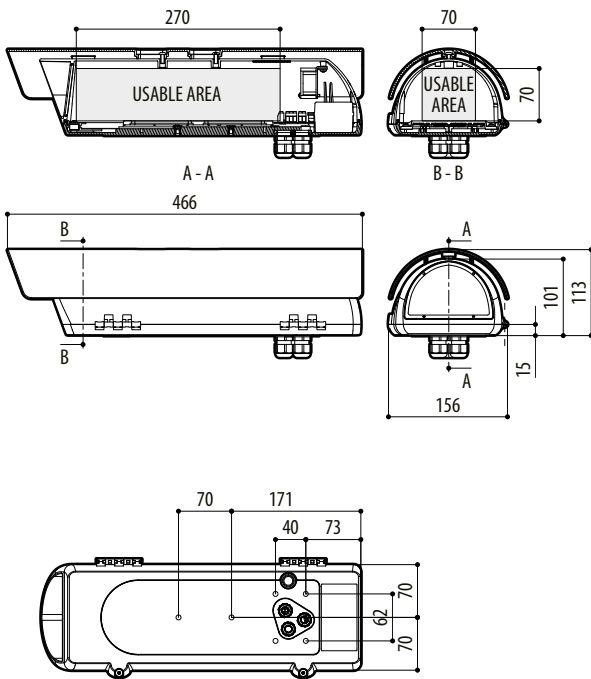
Model Number	Weight	Dimensions (WxHxL)	Master carton
HPV42K1A160	1.8kg (4lb)	16.5X15.5X49cm (6.5x6.1x19.3in)	10

AVAILABLE MODELS

Model Number	Sunshield	Heater 120Vac/230Vac	Heater 12Vdc/24Vac	Max consumption
HPV42K1A160	√	√	-	120W
HPV42K2A160	√	-	√	60W

TECHNICAL DRAWINGS

The indicated measurements are expressed in millimetres.



VERSO POLAR