

A63

2MP Indoor Mini Zoom Dome with D/N, Adaptive IR, Advanced WDR, SLLS, 2.85x Zoom Lens



- 2 Megapixel
- Day & Night with Superior Low Light Sensitivity and Adaptive IR LED
- 2.85x Zoom Lens with f2.8-8.0/F1.6, Auto focus (for installation)
- Advanced WDR
- H.265 Compression
- Wide Angle

► Specifications

Device

Product Type	Mini Zoom Dome
Maximum Resolution	2MP
Application Environment	Indoor
Image Sensor	Progressive Scan CMOS
Sensor Size	1/2.8 "
Day / Night	Yes
Low Light Sensitivity	Superior
Minimum Illumination	Color: 0.05 lux at F1.6, B/W: 0 lux at F1.6 (IR LED on)
Mechanical IR Cut Filter	Yes
IR LED	Adaptive IR LED
IR Working Distance	30m
Horizontal Resolution (TV Lines)	1080 TVL

Lens

Focal Length	Zoom, f2.8-8.0mm
Aperture	F1.6
Zoom Ratio	2.85x optical

Zoom Application	Camera Installation
Iris	Adaptive iris
Focus	Auto focus
Lens Mount	Board mount
Horizontal Viewing Angle	95° - 55°
Viewing Angle Adjustment	Pan: ±120°, Tilt: 30°-90°

Video

Compression	H.265, H.264, MJPEG
Maximum Frame Rate vs. Resolution	30 fps at 1920 x 1080 30 fps at 1280 x 720 30 fps at 720 x 480 30 fps at 640 x 480 30 fps at 320 x 240
Multi-Streaming	Simultaneous dual streams based on two configurations
Bit Rate	28Kbps - 12Mbps (per stream)
Bit Rate Mode	Constant, Variable
Wide Dynamic Range	Advanced WDR (142 dB)
Image Enhancement	Digital Image Stabilizer (DIS, EIS)
Digital Noise Reduction	2D + 3D DNR
Privacy Mask	4 configurable regions
Text Overlay	Yes
On-Screen Graphics	Yes
Built-in Analytics	Tampering Detection
Image Orientation	Flip, Mirror, Rotation

Audio

Audio Type	2-way, Mic-in, Line-in, Line-out
------------	----------------------------------

Network

Network Protocol & Service	IPv4/v6, TCP, UDP, DHCP, PPPoE, HTTP, HTTPS, DNS, DDNS, NTP, RTP, RTSP, RTCP, SMTP, FTP, IGMP, ICMP, ARP, Bonjour, UPnP, QoS, SNMP
----------------------------	--

Integration

ONVIF Compliant	Yes, Profile S, Profile G, Profile T
Web Browser	IE 11

Interface

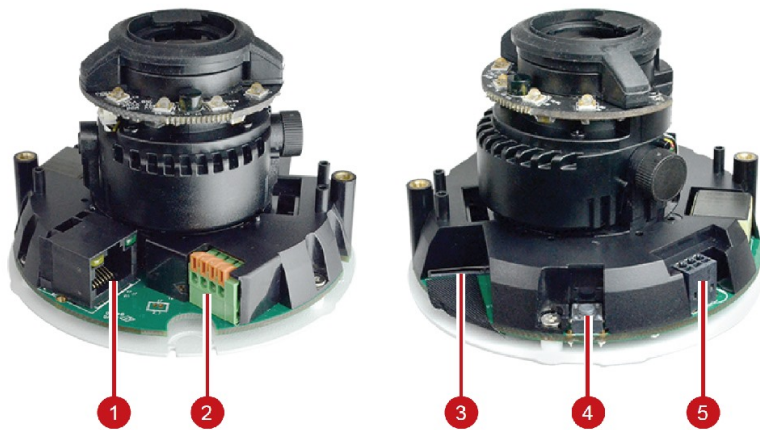
Local Storage	MicroSDHC, MicroSDXC Memory Card Slot (card not included, up to 128GB)
Digital Input/Output	1/1

General

Power Source	DC 12V, PoE Class 3 (IEEE802.3af)
Power Consumption	6 W (PoE, IR on), 7 W (DC, IR on)
Weight	156g (0.344lb)
Dimensions	(Ø x H): 87mm x 61mm (3.43" x 2.40")
Mount Type	Surface, Wall Mount, Pendant
Starting Temperature	-10°C ~ 40°C (14°F ~ 104°F)

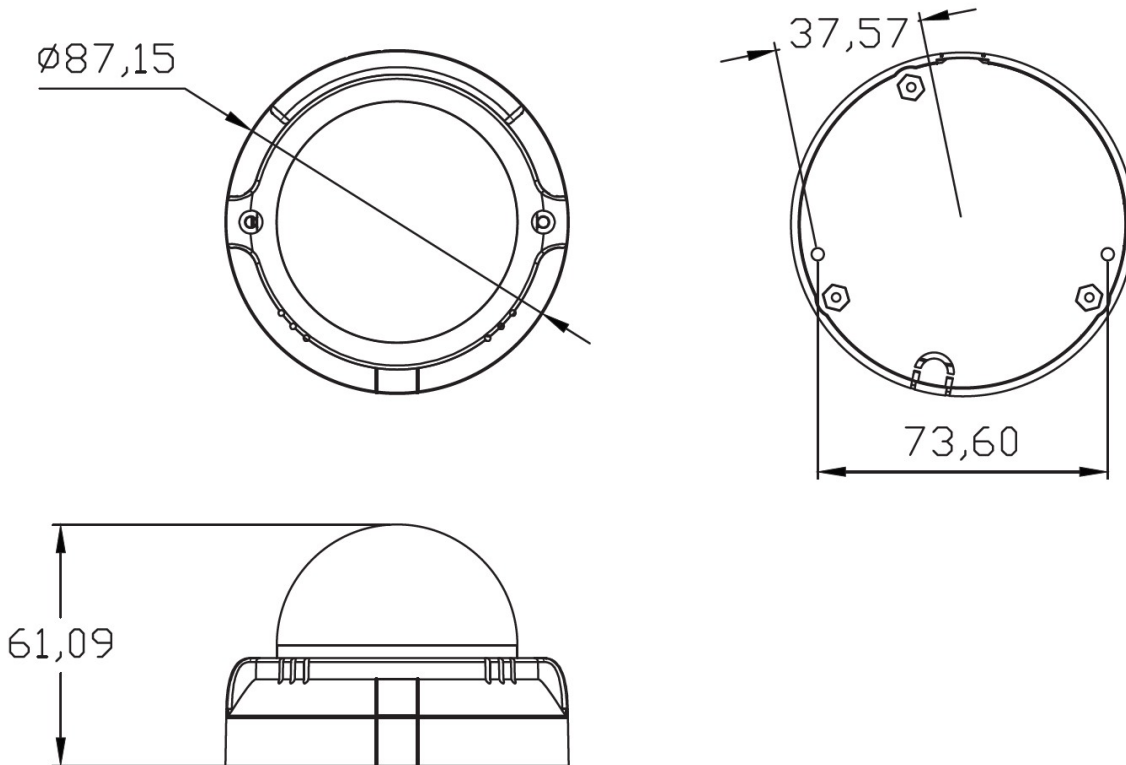
Operating Temperature	-10°C ~ 40°C (14°F ~ 104°F)
Approvals	CE (EN 55032 Class A, EN 55024), FCC Class A
Warranty	3 Year(s). For extended warranty offering, see http://www.acti.com/support/warranty

► Photo Indication



- 1 Ethernet Port
- 2 Digital Input/Output
- 3 Memory Card Slot
- 4 Reset Button
- 5 Audio Input / Output

► Dimension Diagram



Unit: mm [inch]