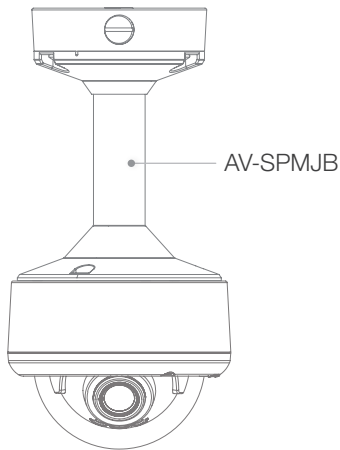


MegaBall® Series Accessories

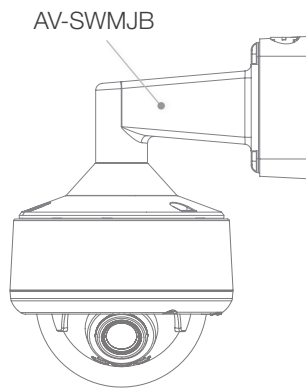
Accessories for MegaBall G2 Indoor Ceiling and Wall Mounting Solutions



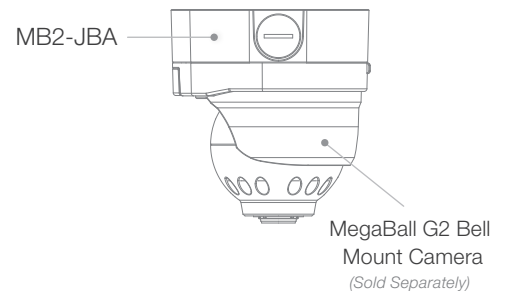
Ceiling Mount Configuration



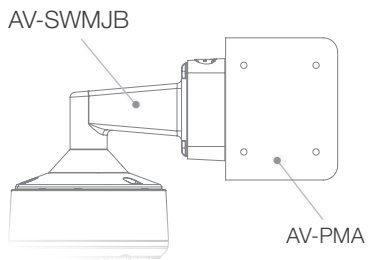
Wall Mount Configuration



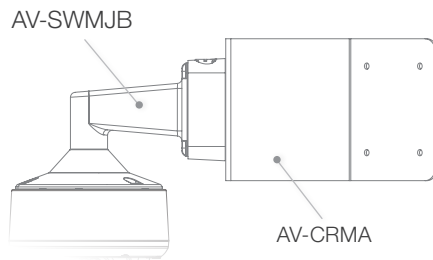
Bell Mount Configuration



Wall Mount Configuration with Pole Mount Adapter



Wall Mount Configuration with Corner Mount Adapter



Compatible Cameras



MegaBall® G2 Series

AV-SPMJB

Pendant Mount

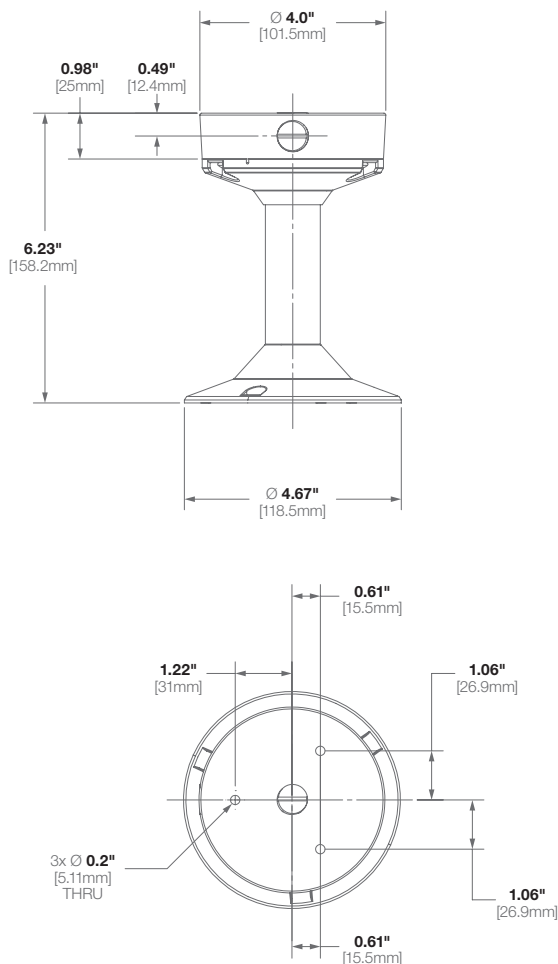


Features:

- Easy Installation and Superior Design
- Die-Cast Aluminum is Resistant to Impact and Salt Damage

Compatibility	Compatible with 1/2" NPT standard
	Works with MegaBall G2 dome-mount cameras

Mechanical	Casing	Die-cast aluminum
		IK-10 impact-resistant (for indoor use only)
	Color	Ivory (Pantone® Cool Gray 1C)
	Dimensions	Ø 4.67" (118.5mm) x 6.23" H (158.2mm)
	Weight	w/o Camera 0.46lbs (0.21kg)



AV-SWMJB

Wall Mount

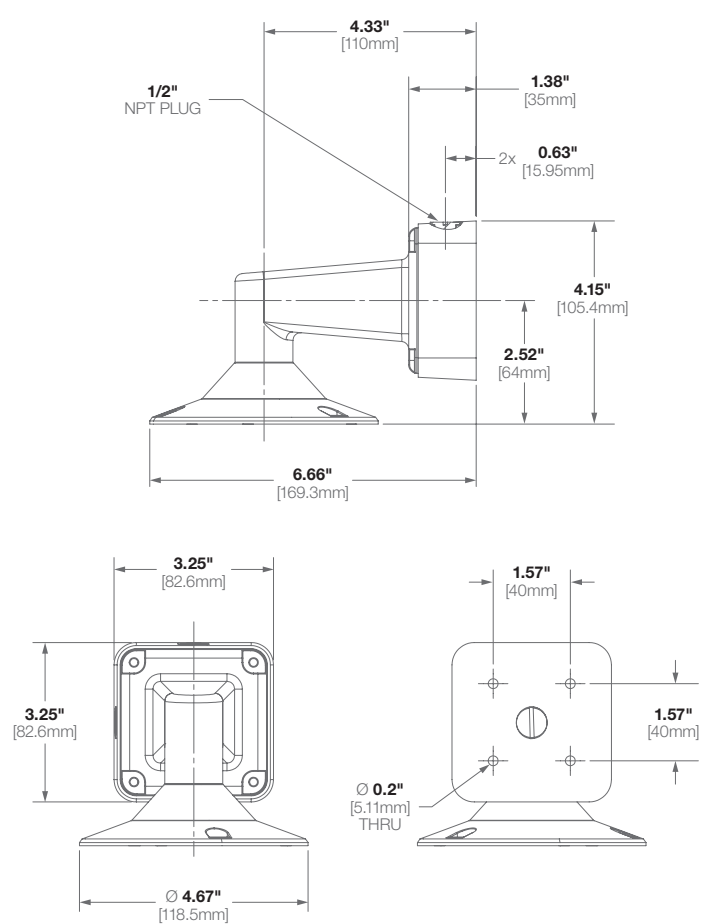


Features:

- Easy Installation and Superior Design
- Die-Cast Aluminum is Resistant to Impact and Salt Damage

Compatibility	Compatible with 1/2" NPT standard
	Works with MegaBall G2 dome-mount cameras

Mechanical	Casing	Die-cast aluminum
		IK-10 impact-resistant (for indoor use only)
	Color	Ivory (Pantone® Cool Gray 1C)
	Dimensions	Ø 4.67" (118.5mm) x 4.15" H (100mm)
	Weight	w/o Camera 0.54lbs (0.25kg)



AV-EBAR

Round Electrical Box Adapter Plate

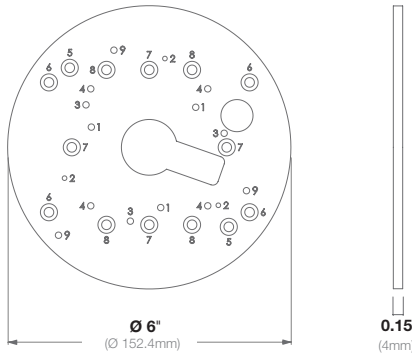


Features:

- Easy Installation and Superior Design
- Heavy Duty Enclosure Protection for Applications in Harsh Environments
- Die-Cast Aluminum is Resistant to Impact and Salt Damage

Compatibility**	Compatible with 3/4" NPT standard
	Works with MegaBall Series, MicroDome® -S cameras, SurroundVideo®, SurroundVideo G5, SurroundVideo Omni Series**, MCD-CMT, and MB2-JBA

Mechanical	Casing	Die-cast aluminum
		IP66 weather proof standard
		IK-10 impact-resistant
	Color	Ivory (Pantone Cool Gray 1C)
	Dimensions	Ø6" (152.4mm) x 0.15" W (4mm)
	Weight	w/o Camera 0.4lbs (0.18kg)



Hole No.	Model Compatibility
1	MegaBall Series wall mount (legacy), MCD-CMT
2	MegaBall Series dome mount
3	MegaBall Series bell mount, MicroDome Series surface mount
4	SurroundVideo, SurroundVideo G5, and MB2-JBA
5	4S box
6	4-11/16" square box
7	Single gang box
8	Double gang box
9	SurroundVideo Omni Series**

Quick Installation:

1. Pass cables through the center hole of the adapter plate.
2. Attach the adapter plate to the electrical box (sold separately) using the appropriate hardware and mounting holes.
3. Attach the compatible part noted above.

AV-EBAS

Square Electrical Box Adapter Plate

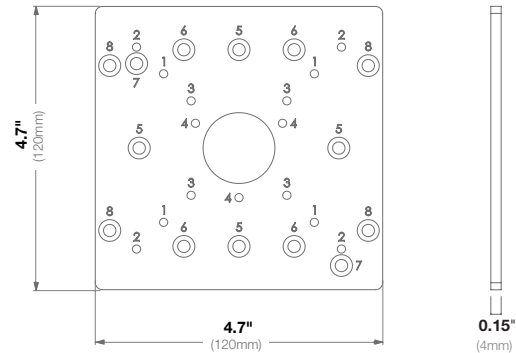


Features:

- Easy Installation and Superior Design
- Heavy Duty Enclosure Protection for Applications in Harsh Environments
- Die-Cast Aluminum is Resistant to Impact and Salt Damage

Compatibility**	Compatible with 3/4" NPT standard
	Works with MegaView® Series, MicroBullet®, SurroundVideo®, SurroundVideo G5, AV-JBA, AV-WMJB, AV-SWMJB, MCD-WMT, MDD-WMT, HSG2-WMT, and AV-PMJB

Mechanical	Casing	Die-cast aluminum
		IP66 weather proof standard
		IK-10 impact-resistant
	Color	Ivory (Pantone Cool Gray 1C)
	Dimensions	4.7" L (120mm) x 0.15" W (4mm) x 4.7" H (120mm)
	Weight	w/o Camera 0.33lbs (0.13kg)



Hole No.	Model Compatibility
1	AV-JBA, AV-WMJB, AV-PMJB, MegaView 2 (standard), SurroundVideo, SurroundVideo G5
2	HSG2-WMT, AV-WMJB bracket, AV-PMJB bracket, MegaView 2 bracket
3	AV-SWMJB, MCD-WMT, MDD-WMT
4	MicroBullet
5	Single gang box
6	Double gang box
7	4S box (4" square, 4" octagonal)
8	4-11/16" square box

Quick Installation:

1. Pass cables through the center hole of the adapter plate.
2. Attach the adapter plate to the electrical box (sold separately) using the appropriate hardware and mounting holes.
3. Attach the compatible part noted above.

** The mounting plate on all MegaDome Series cameras, SurroundVideo G5 Mini, SurroundVideo Omni G3, MicroDome Duo, and the D4SO-3 housing negate the need for a separate electrical box adapter plate and therefore this accessory is not applicable.

AV-PMA

Pole Mount Adapter

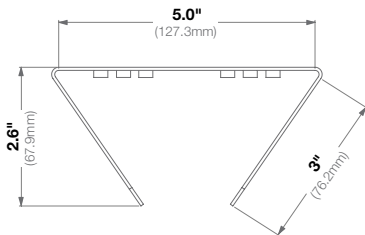


Features:

- Easy Installation and Superior Design
- Heavy Duty Enclosure Protection for Applications in Harsh Environments
- Die-Cast Aluminum is Resistant to Impact and Salt Damage

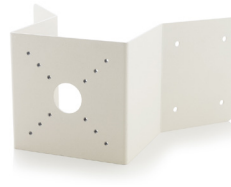
Compatibility Works with AV-WMJJB, AV-SWMJB, MDD-WMT, MCD-WMT, and AV-JBA

Mechanical	Casing	Die-cast aluminum
		IK-10 impact-resistant
	Color	Ivory (Pantone® Cool Gray 1C)
	Dimensions	5.01" W (127.32mm) x 4.92" H (125mm)
	Weight	w/o Camera 0.32lbs (0.15kg)



AV-CRMA

Corner Mount Adapter

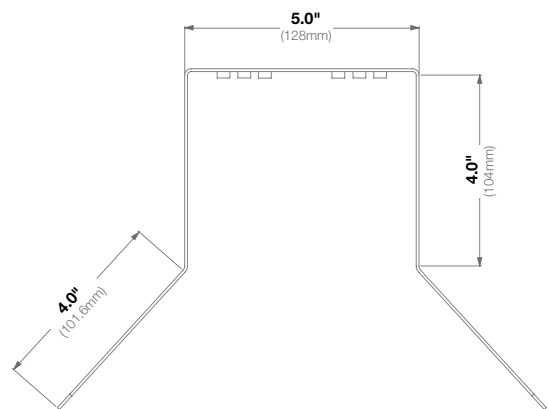
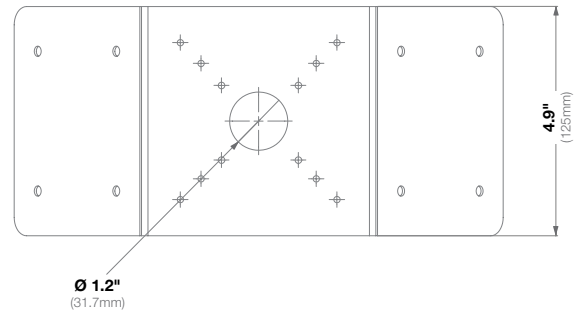


Features:

- Easy Installation and Superior Design
- Heavy Duty Enclosure Protection for Applications in Harsh Environments
- Die-Cast Aluminum is Resistant to Impact and Salt Damage

Compatibility Works with AV-WMJJB, AV-SWMJB, MDD-WMT, MCD-WMT, and AV-JBA

Mechanical	Casing	Die-cast aluminum
		IK-10 impact-resistant
	Color	Ivory (Pantone® Cool Gray 1C)
	Dimensions	13.04" W (331.25mm) x 4.92" H (125mm)
	Weight	w/o Camera 0.59lbs (0.27kg)



MB2-JBA

Junction Box Adapter for Bell Mount



Features:

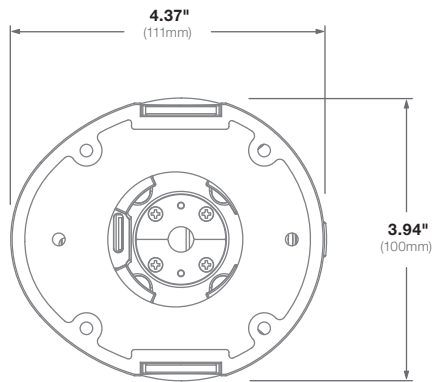
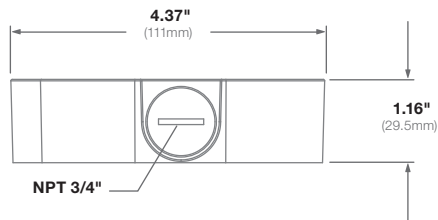
- Easy Installation and Superior Design
- Heavy Duty Enclosure Protection for Applications in Harsh Environments
- Die-Cast Aluminum is Resistant to Impact and Salt Damage

Compatibility

Compatible with 3/4" NPT standard
Works with MegaBall G2 "bell-mount" cameras

Mechanical

Casing	Die-cast aluminum
	IP66 weather proof standard
	IK-10 impact-resistant
Color	Ivory (Pantone® Cool Gray 1C)
Dimensions	4.37" L (111mm) x 3.94" W (100mm) x 1.16" H (29.5mm)
Weight	w/o Camera 0.57lb (0.26kg)



See Next Page for Ordering Information



Compatible Accessories by Camera Model

MegaBall G2 <i>(Dome Mount Models Only)</i>	AV-EBAR, AV-CRMA, AV-EBAS, AV-PMA, AV-SPMJB, AV-SWMJB
MegaBall G2 <i>(Bell Mount Models Only)</i>	AV-EBAR, MB2-JBA

Accessory Model Numbers

AV-EBAR	Round Electrical Box Adapter Plate
<i>Bell Mount (-B Models)</i>	
MB2-JBA	Junction Box for MegaBall Series "Bell" Style Cameras
<i>Dome Mount (-D Models)</i>	
AV-CRMA	Corner Mount Adapter
AV-EBAS	Square Electrical Box Adapter Plate (Compatible with AV-SWMJB)
AV-PMA	Pole Mount Adapter
AV-SPMJB	Small Pendant Mount Bracket with Junction Box (1/2" NPT Standard)
AV-SWMJB	Small Wall Mount Bracket with Junction Box (1/2" NPT Standard)