

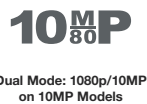
# MegaView® 2 IP Megapixel Bullet Cameras

1.2, 1080p, 3, 5, and 10 Megapixel (MP) H.264 All-in-One Motorized P-Iris Lens True Day/Night IR Indoor/Outdoor Bullet-Style IP Cameras with SNAPstream™ (Smart Noise Adaptation and Processing), Enhanced WDR™ (Wide Dynamic Range), and STELLAR™ (Spatio Temporal Low Light Architecture) Models



MegaView® 2 second generation multi-megapixel cameras provide ample resolution to zoom-in for details in live or recorded video. These indoor/outdoor all-in-one solutions integrate a 1.2-, 1080p, 3-, 5-, or 10-megapixel camera with fast frame rates and an IR corrected motorized wide angle or

telephoto, P-iris lens into an IP66 environmental rated, IK-10 impact-resistant bullet-style housing. H.264 compression reduces bandwidth and storage requirements while delivering full frame rates and full resolution without sacrificing image quality.



## Series Features

- 1.2, 1080p, 3, 5, or 10MP Models
- Remote Focus/Zoom Motorized P-Iris Lens
- P-Iris Control to Get Best Depth of Field and Image Clarity
- SNAPstream™ Capability to Reduce Bandwidth without Impacting Image Quality
- Wide Angle or Telephoto Lens Options
- STELLAR™ Reduces Motion Blur, Noise and Storage Requirements, While Enhancing Contrast and Allowing Color Imaging in Near Complete Darkness on 1.2MP Models
- Enhanced WDR™ up to 100dB at Full Resolution Available on Select 1080p and 3MP Models
- True Day/Night Functionality with Mechanical IR Cut Filter and IR LEDs
- Binning Mode for Strong Low Light Performance on 3MP, 5MP and 10MP Cameras
- Casino Mode™ Guarantees Continuous 30fps Frame Rate Required by Gaming Industry Regulations (Select 1080p Models)
- CorridorView™ Allows 90° Image Rotation for Better Coverage in Hallways and Corridors
- Privacy Mask, Motion Detection, Flexible Cropping, Bit Rate Control, Multi-Streaming, Multicasting, Forensic Zooming, and Non-Integer Scaling
- Dual Encoder H.264/MJPEG
- SDHC Card Slot for Onboard Storage (-S Models)
- Network Protocols Include HTTPS\*, 802.1x, DHCP, QoS, IPv6, and More
- Total PoE Solution (No External Power Required for IR LEDs), PoE and Auxiliary Power: 12–48V DC/24V AC
- Outdoor Rated IP66 and IK-10 Impact-Resistant Housing
- Easily Adjustable 3-Axis Wall Mount, Junction Box Included
- Optional Audio (-A Models)

\* HTTPS is for "-S" models only and cannot be used with STELLAR™ or audio functionality

Camera Imaging Specifications

Model		AV1225	AV2225		AV2226		AV3225		AV3226		AV5225		AV10225
		-S		-S		-S		-S		-S		-S	-S
<b>Image Sensor (CMOS)</b>		1.2MP***	1080p (2.1MP)****		1080p (2.1MP)****		3MP		3MP		5MP		10MP
<b>Day/Night</b>		True Day/Night with automatic removable IR cut filter											
<b>Optical Format</b>		1/3"	1/3"		1/3.2"		1/3"		1/3.2"		1/2.5"		1/2.3"
<b>Pixel Pitch</b>		3.75µm	2.2µm		2.2µm		2.2µm		2.2µm		2.2µm		1.67µm
<b>Minimum Illumination</b>	Color (Day Mode)	0.02 Lux	0.2 Lux		0.2 Lux		0.2 Lux		0.2 Lux		0.3 Lux		0.42 Lux
	Color Binning (Day Mode)	-	-		-		0.1 Lux		0.1 Lux		0.15 Lux		0.21 Lux
	B/W (Night Mode)	0.002 Lux, IR sensitive	0.02 Lux, IR sensitive		0.02 Lux, IR sensitive		0.02 Lux, IR sensitive		0.02 Lux, IR sensitive		0.03 Lux, IR sensitive		0.04 Lux, IR sensitive
<b>Full FOV Resolution</b>		1280 H x 960 V	1920 H x 1080 V		1920 H x 1080 V		2048 H x 1536 V		2048 H x 1536 V		2592 H x 1944 V		3648 H x 2752 V
<b>1/4 Resolution</b>		640 H x 480 V	960 H x 540 V		960 H x 540 V		1024 H x 768 V		1024 H x 768 V		1296 H x 972 V		1824 H x 1376 V
<b>Scaling</b> (See Scaling Resolution Chart Below)		-	-	Yes	-	Yes	-	Yes	-	Yes	-	Yes	Yes
<b>Dynamic Range</b>		83.5dB	69.5dB		WDR up to 100dB		69.5dB		WDR up to 100dB		70.1dB		57.2dB
<b>Maximum SNR</b>		54dB	44dB		49dB		44dB		49dB		45dB		40dB
<b>Frame Rates**</b>	At Max Resolution	37fps (1280 x 960)	30fps (1920 x 1080)		30fps (1920 x 1080)		21fps (2048 x 1536)		21fps (2048 x 1536)		14fps (2592 x 1944)		7fps (3648 x 2752)
	Cropped	-	30fps (1280 x 1024)		30fps (1280 x 1024)		30fps (1920 x 1080) 30fps (1280 x 1024)		30fps (1920 x 1080) 30fps (1280 x 1024)		21fps (2048 x 1536) 29fps (1920 x 1080) 41fps (1280 x 1024)		12fps (2592 x 1944) 18fps (2048 x 1536) 25fps (1920 x 1080) 37fps (1280 x 1024)
	Binning Mode	-	-		-		46fps (1024 x 768) 64fps (960 x 540)		21fps (1024 x 768) 21fps (800 x 600) 21fps (960 x 540) 21fps (640 x 512)		34fps (1296 x 972) 46fps (1024 x 768) 64fps (960 x 540)		29fps (1920 x 1080) 26fps (1824 x 1376) 43fps (1296 x 972) 54fps (1024 x 768)
<b>Lens</b>	Wide Angle Vari-focal (PMIR Models)	3–9mm, 1/2.7", F1.2, RF, RZ, P-Iris, IR corrected	2.8–8mm, 1/2.7", F1.2, RF, RZ, P-Iris, IR corrected		2.8–8mm, 1/2.7", F1.2, RF, RZ, P-Iris, IR corrected		2.8–8mm, 1/2.7", F1.2, RF, RZ, P-Iris, IR corrected		2.8–8mm, 1/2.7", F1.2, RF, RZ, P-Iris, IR corrected		3–8mm, 1/2.5", F1.4, RF, RZ, P-Iris, IR corrected		4–8mm, 1/2.3", F1.6, RF, RZ, P-Iris, IR corrected
	H-FOV (PMIR Models)	101°–32°	86°–32°		86°–32°		105°–39°		105°–39°		113°–43°		89°–47°
	Telephoto Vari-focal (PMTIR Models)	-	8–22mm, 1/2.7", F1.6, RF, RZ, P-Iris, IR corrected		8–22mm, 1/2.7", F1.6, RF, RZ, P-Iris, IR corrected		8–22mm, 1/2.7", F1.6, RF, RZ, P-Iris, IR corrected		8–22mm, 1/2.7", F1.6, RF, RZ, P-Iris, IR corrected		9–22mm, 1/2.5", F1.6, RF, RZ, P-Iris, IR corrected		12–22mm, 1/2.3", F2.2, RF, RZ, P-Iris, IR corrected
	H-FOV (PMTIR Models)	-	26°–11°		30°–11°		28°–12°		32°–12°		38°–16°		30°–17°

\*\* Maximum with H.264 compression    \*\*\* STELLAR™ Model    \*\*\*\* Effective

Scaling Resolution Chart†

Scaled Resolution	Horizontal	Vertical	Pixel Count
720p	1280	720	921600
XVGA	1024	768	786432
DVGA (16:9)	1136	640	727040
DVGA (3:2)	960	640	614400
SVGA	800	600	480000
D1 (PAL)	720	576	414720
4CIF (PAL)	704	576	405504
D1 (NTSC)	720	480	345600
4CIF (NTSC)	704	480	337920
VGA	640	480	307200
2CIF (PAL)	704	288	202752
HVGA (4:3)	480	360	172800
2CIF (NTSC)	704	240	168960
HVGA (8:3)	640	240	153600
HVGA (3:2)	480	320	153600
HVGA (16:9)	480	272	130560
CIF (PAL)	352	288	101376
CIF (NTSC)	352	240	84480
QVGA (SIF)	320	240	76800
QCIF (PAL)	176	144	25344
QCIF (NTSC)	176	120	21120
SQCIF	128	96	12288

† All scaled resolutions are available on all cameras that support scaling

Programmability

<b>Optics</b>	Remote focus, remote zoom and P-iris control
<b>Low Light Performance</b>	<b>STELLAR</b> 1.2MP models
	<b>Pixel Binning Mode</b> 3, 5, and 10MP models
<b>Programmable Shutter Speed</b>	Controls motion blur, 1ms–500ms
<b>Motion Detection</b>	Real-time, 1024 detection zones
<b>Privacy Masking</b>	Unlimited
<b>Scaling</b>	Non-integer scaling down to 128x96
<b>Casino Mode™</b>	Maintains 30fps or higher (AV2225 models)
<b>Flexible Cropping</b>	Resolution windowing down to 1x1 pixel for JPEG and 2x2 pixels for H.264
<b>Backlight Compensation</b>	Multi-matrix white balance
<b>Flicker Control</b>	5Hz–255Hz adjustable
<b>Image Rotation</b>	CorridorView™ (90°, 180°, and 270° image rotation)
<b>Wide Dynamic Range</b>	Auto adjustment between WDR and LDR modes (WDR models only)
<b>Efficiency</b>	SNAPstream™ (Smart Noise Adaptation and Processing)
	Bit rate and bandwidth limitation control
	Bandwidth and storage savings by running at 1/4 resolution
<b>Sharpness</b>	Selectable enhancement level
<b>Miscellaneous</b>	Programmable resolution, brightness, saturation, gamma, tint
	Electronic pan, tilt, zoom (PTZ)

## Data Transmission

<b>Compression Type</b>	H.264 (MPEG-4, Part 10) / Motion JPEG	
	21 levels of quality	
<b>Network Protocols</b>	HTTP, HTTPS*, IPv4, IPv6, QoS, 802.1x, RTSP, RTP/TCP, RTP/UDP, TFTP, DHCP	
<b>Network Interface</b>	100Base-T Ethernet	
<b>Multi-Streaming</b>	<b>1.2-5MP Models</b>	8 non-identical streams
	<b>10MP Models</b>	4 non-identical streams

## Compliance

<b>Industry Standard</b>	ONVIF Profile S conformant
<b>Listings</b>	UL (CB)
<b>FCC Compliance</b>	47 CFR 15 Class A
<b>Environmental</b>	RoHS, REACH, WEEE
<b>Markings</b>	<b>CE:</b> EN55022 Class A, EN55024, EN61000-3-2, EN61000-3-3, EN60950-1
<b>Mechanical</b>	IP66 weather proof standard (EN60529), IK-10 impact-resistant

## Environmental

<b>Operating Temperature</b>	-40°C (-40°F) to +50°C (122°F)
<b>Humidity</b>	0% to 90% (non-condensing)
<b>Storage Temperature</b>	-40°C (-40°F) to +60°C (140°F)

## Electrical

<b>Alarm Input/Output</b>	General purpose opto-coupled, 1 input/1 output
<b>Power Over Ethernet</b>	PoE 802.3af, Class 3
<b>Auxiliary Power</b>	12-48V DC, 24V AC

## Max Power Consumption (Watts DC power)

Model	PMIR	PMTIR	PMIR-S	PMTIR-S
AV1225	-	-	12.0	-
AV2225	11.3	10.9	12.1	11.1
AV2226	12.4	11.8	13.4	12.0
AV3225	11.5	11.1	12.1	11.8
AV3226	12.4	11.8	13.4	12.0
AV5225	11.5	11.1	12.5	11.2
AV10225	11.8	11.3	12.4	11.3

## IR Illuminator

<b>PMIR</b>	48 pcs 850nm LEDs / 100 ft IR distance (max) / 50° IR angle
<b>PMTIR</b>	4 pcs 850nm LEDs / 200 ft IR distance (max) / 33° IR angle
<b>Power Over Ethernet</b>	Total PoE solution (no external power requirement)

## Audio Electrical (-A models only)

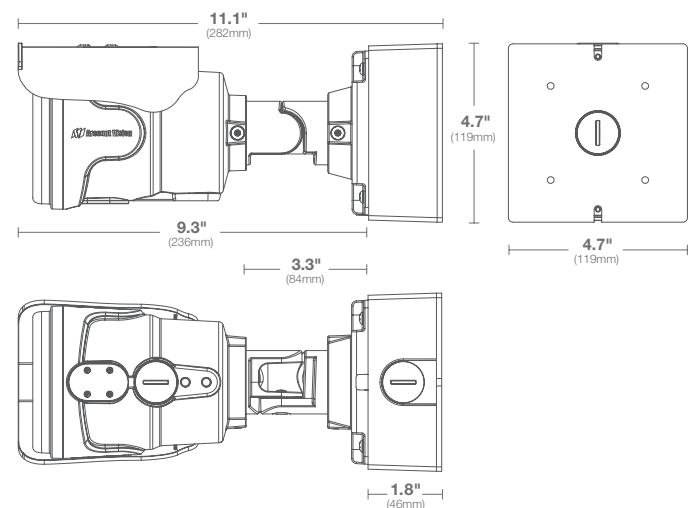
<b>Streaming</b>	Two-way
<b>Compression</b>	G.711 PCM 8 kHz
<b>Input/Output</b>	Microphone in/line output

\* HTTPS is for "-S" models only and cannot be used with STELLAR™ or audio functionality

## Mechanical

<b>Casing</b>	Die-cast aluminum cylindrical (bullet-style) housing	
	IP66 weather proof standard	
	IK-10 impact-resistant	
<b>Mount</b>	Easily adjustable 3-axis with 360° pan, 90° tilt and 360° z-axis	
<b>Dimensions</b> <i>(See Dimensions)</i>	<b>Unit</b>	4.7" H (119mm) x 4.7" W (119mm) x 11.1" D (282mm)
	<b>Packaged</b>	7.1" H (180mm) x 7.1" W (180mm) x 13.5" D (342.9mm)
<b>Weight</b>	<b>Unit</b>	3.9lb (1.76kg)
	<b>Packaged</b>	5.2lb (2.35kg)
<b>On Board Storage</b>	SDHC slot up to 32GB (card not included) (-S models)	

## Dimensions



See Next Page for Ordering Information



## Model Specific Features

Model	Resolution	Frame Rate**	Features		
AV1225	1.2MP	37fps	-		STELLAR™
AV2225	1080p	30fps	-	Casino Mode™	-
AV2226	1080p	30fps	WDR		-
AV3225	3MP	21fps	-		Binning
AV3226	3MP	21fps	WDR		Binning
AV5225	5MP	14fps	-		Binning
AV10225	10MP	7fps	-		Binning

## Configurations



Wide Angle Lens



Telephoto Lens

## Model Numbers

<b>1.2MP</b>	AV1225PMIR-S	STELLAR
<b>1080p</b>	AV2225PMIR	
	AV2225PMIR-S	
	AV2225PMIR-SA	Audio
	AV2225PMTIR-S	
	AV2226PMIR	WDR
	AV2226PMIR-S	WDR
	AV2226PMTIR-S	WDR
<b>3MP</b>	AV3225PMIR	
	AV3225PMIR-S	
	AV3225PMTIR-S	
	AV3226PMIR	WDR
	AV3226PMIR-S	WDR
	AV3226PMIR-SA	Audio WDR
<b>5MP</b>	AV5225PMIR	
	AV5225PMIR-S	
	AV5225PMIR-SA	Audio
	AV5225PMTIR-S	
<b>10MP</b>	AV10225PMIR-S	Dual Mode
	AV10225PMTIR-S	Dual Mode

## Options

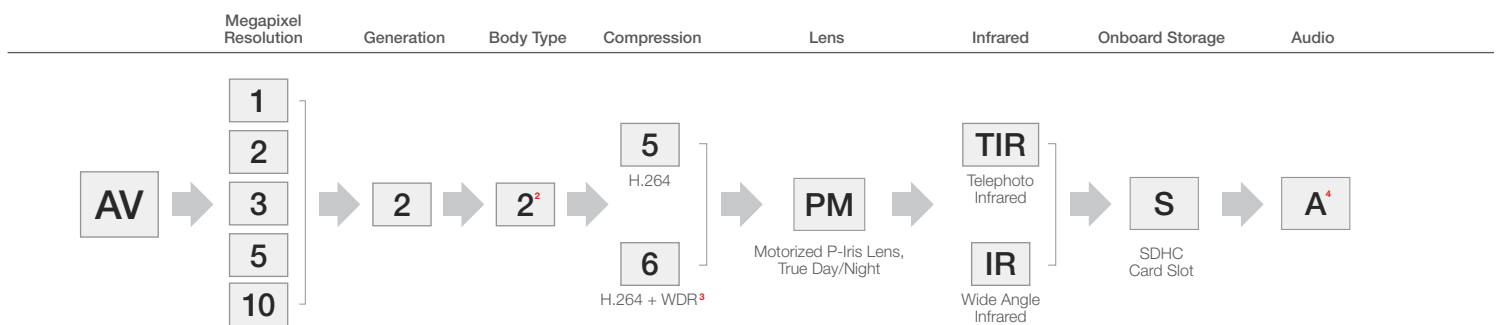
<b>PMIR</b>	Wide Angle Lens w/ Remote Focus/Zoom, P-Iris, True Day/Night, IR LEDs
<b>PMTIR</b>	Telephoto Lens w/ Remote Focus/Zoom, P-Iris, True Day/Night, IR LEDs
<b>-S</b>	SDHC Card Slot, Non-Integer Scaling, HTTPS*
<b>-A</b>	Audio

Note: Not all options available on all models.

## Accessories

<b>AV-CRMA</b>	Corner Mount Adapter
<b>AV-EBAS</b>	Square Electrical Box Adapter Plate
<b>AV-JBA<sup>1</sup></b>	Standard Junction Box
<b>AV-PMA</b>	Pole Mount Adapter

## Create Your Model (Example: AV3226PMIR-SA)



\* HTTPS is for "-S" models only and cannot be used with STELLAR™ or audio functionality

\*\* Maximum with H.264 compression

<sup>1</sup> Replacement part only

<sup>2</sup> "2" represents MegaView product line

<sup>3</sup> WDR for AV2226 and AV3226 models only

<sup>4</sup> Wide angle lens cameras only

**Arecont Vision**  
A COSTAR COMPANY

425 E. Colorado St. 7<sup>th</sup> Floor | Glendale, CA USA 91205 | +1.818.937.0700 | www.arecontvision.com | avsales@arecontvision.com

© 2018 Arecont Vision Costar, LLC. All rights reserved. Arecont Vision, the Arecont Vision logo, and MegaView are registered trademarks of the company. Casino Mode, CorridorView, Enhanced WDR, MegalP, SNAPstream, and STELLAR are business use trademarks of the company.

Rev 004.007

