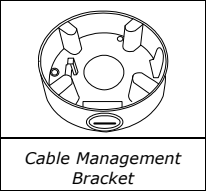
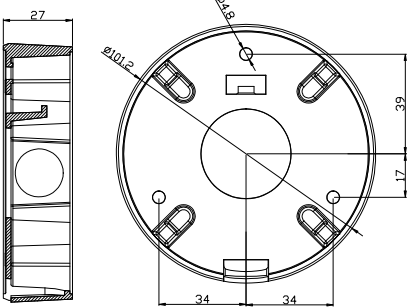
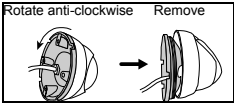
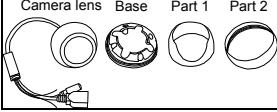
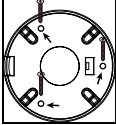
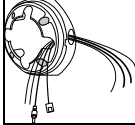

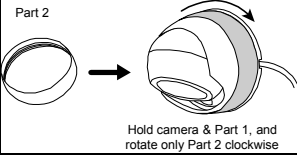
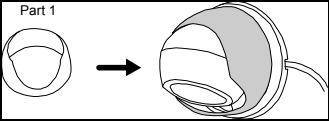


■ Overview	■ Dimension (mm)
<p>Used as a camera bracket to mount the camera on the ceiling and collect the cables.</p>  <p>Cable Management Bracket</p>	 <p>Dimensional tolerance: $\pm 5\text{mm}$</p>
■ Installation	
 <p>Figure 1</p>	 <p>Figure 2</p>  <p>Figure 3</p>  <p>Figure 4</p> <p>Step1: Remove the camera base as shown in Figure 1, and disassemble the camera to four parts as shown in Figure 2.</p>

■ Installation	
<p>Step 2: Based on your installation environment, you can collect the cables to:</p> <ol style="list-style-type: none"> 1) Hide over the ceiling <ol style="list-style-type: none"> 1-1 Drill a hole (as big as the center hole of the bracket) on the ceiling, fix the camera bracket to the ceiling with three screws supplied with the sales package of bracket as Figure 3, and pass the cables from the ceiling through the hole you just drilled. 1-2 Attach the base to the bracket and secure the four screws supplied with the sales package and the center hole of the base as Figure 4. 1-3 Make connections between the cables from the ceiling and the cables from the dome body, and attach the dome body to the base as Figure 5. 2) Walk along the ceiling <ol style="list-style-type: none"> 2-1 Fix the camera bracket to the ceiling with screws as Figure 3 first, attach the base to the bracket and fix it. (The screws are supplied with the sales package of bracket) Pass the cables through the hole on the bracket side and the center hole of the base as Figure 4. 2-2 Make connections between the cables along the ceiling and the cables from the dome body, collect the cables in the space of the bracket and attach the dome body to the base as Figure 5. <p>Step3: Slightly adjust the camera lens to where it's supposed to face, and replace Part 1 and Part 2 back, as shown in Figure 6 and Figure 7.</p> <p>Step4: Hold the camera lens and Part 1, and rotate only Part 2 clockwise, as shown in Figure 7.</p> <p>Step5: Power on your camera, and check the viewing angle on the PC.</p> <p>Step6: Adjust the position and the viewing angle of the camera, if necessary.</p>	 <p>Figure 5</p>  <p>Figure 6</p>  <p>Figure 7</p>