

# AVR-NSV16E2N AI

NDAA COMPLIANT |  TAA COMPLIANT | CE | FC

16 CH. 4K UHD NETWORK VIDEO RECORDER  
8MP / 5MP / 3MP / 1080P / 960P / 720P / DUAL ETHERNET /  
DUAL HDMI

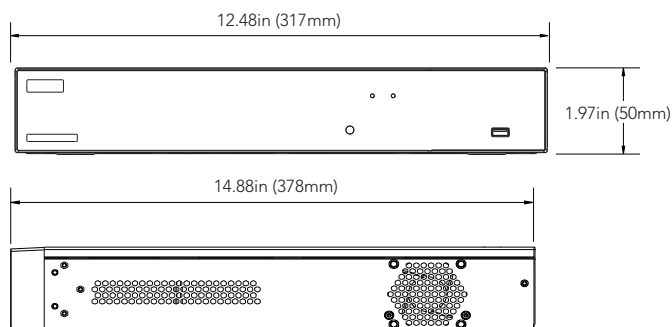


## OVERVIEW

- H.265 codec decoding
- 256Mbps(16CH) input bandwidth
- Up to 8MP(4K) resolution for preview and playback
- Support to install up to 2 HDDs, max total capacity of up to 20TB
- Full function network remote view via Internet (CMS, IE/Firefox/Chrome, Mac Safari)
- No limitation on adding devices to CMS, max. 128 channels preview (CMSONE)
- Support scan P2P QR code to connect NVR via Mobile app (AVY Mobile One)
- Support to save pictures/video to Dropbox storage (Dropbox)
- Support to save pictures/video to FTP server (built by user)
- VGA/HDMI output up to 4K resolution
- Support HDD S.M.A.R.T. Monitoring
- NDAA compliant

## DIMENSIONS

Unit : inch(mm)



## MOBILE APP

AVY MOBILE ONE



## REAR PANEL



## SPECIFICATIONS

VIDEO	
IP Video Input	16 Channels
Output	HDMI x 2 : 3840 x 2160(4K) / 2560 x 1440(2K) / 1900 x 1200 / 1600 x 1200 / 1680 x 1050 / 1920 x 1080 / 1440 x 900 / 1280 x 1024 / 1280 x 720 / 1024 x 768 VGA x 1: 1920 x 1080 / 1440 x 900 / 1280 x 1024 / 1280 x 720 / 1024 x 768
Incoming Bandwidth (Mbps)	256Mbps
Outgoing Bandwidth (Mbps)	128Mbps
Video Compression	H.265+/H.265/H.264+/H.264
Audio Compression	G.711A;G.711U
Installation Wizard	Yes
Resolution	8MP, 5MP, 3MP, 2MP(1080P), 1.3MP(960P), 1.0MP(720P)
PLAYBACK	
Playback Frame Rate	4K:60fps 4MP:120fps 2MP:240fps
Supported Smart AI	Face Detection, People / Vehicle Detection, License Plate Recognition, Intrusion, Line Crossing, Object Abandonment, People Counting, Crowd Density Detection, Queue Length Detection, Rare Sound Detection, Object Classification and Fisheye Dewarping
Supported Camera for AI	Diversity Series Network Cameras
Event Triggers	MD(Sensitivity Level 1~8), Video Loss, Beep, Email, Push Notification to Mobile App
Playback Function	Fast forward / backward (2x, 4x, 8x, 16x), Slow forward (1/2x, 1/4x, 1/8x, 1/16x)
Playback	Max 16CH playback
Fisheye	Support
INTERFACE	
Local UI	UI5.0
Web Monitoring	IE10/11, Safari V12.1 above, Firefox V.52 above, Chrome V.57 above, Edge V.79 above
Mobile Viewer	AVY Mobile One
Push Notification	Motion Event, AI, and Abnormal
Reset Button	Factory Reset : Press 10 seconds
HDD Interface	2 SATA, each HDD up to 20TB per HDD
VGA	1 (1024*768, 1280*720, 1280*1024, 1440*900, 1920*1080 )
HDMI 1	1 (1024*768, 1280*720, 1280*1024, 1440*900, 1920*1080, 3840*2160/EDID)
HDMI 2	1 (1024*768, 1280*720, 1280*1024, 1440*900, 1920*1080) Async output
SYSTEM	
PoE	No
Ethernet	2 RJ45 10/100/1000 Base-T
USB	USB2.0*1(front) USB3.0*1+USB2.0*1(rear)
Audio Out	1
E-Sata	1
RS485	1
Line-In	1
Alarm Input/out	16 IN / 1 OUT
GENERAL	
OSD Language	English / French / Spanish / Portuguese / German / Italian / Greek / Danish / Finnish / Russia / Hebrew / Turkish / Bulgarian / Arabic / Korean / Japanese / Thai / Hindi / Romanian / Dutch / Polish
Power Consumption	12W
Power Supply	DC12V/5A
Working Environment	14°~122°F (-10°~+50°C)
Working Humidity	Less than 90%RH (Non-Condensing)
Dimensions	14.88" x 12.48" x 1.97" (378mm x 317mm x 50mm)

## HDD OPTIONS

- 1TB HDD: AVR-NSV16E2N-1T
- 2TB HDD: AVR-NSV16E2N-2T
- 3TB HDD: AVR-NSV16E2N-3T
- 4TB HDD: AVR-NSV16E2N-4T
- 6TB HDD: AVR-NSV16E2N-6T
- 8TB HDD: AVR-NSV16E2N-8T
- 10TB HDD: AVR-NSV16E2N-10T
- 12TB HDD: AVR-NSV16E2N-12T
- 14TB HDD: AVR-NSV16E2N-14T
- 18TB HDD: AVR-NSV16E2N-18T
- 20TB HDD: AVR-NSV16E2N-20T
- 24TB HDD: AVR-NSV16E2N-24T
- 28TB HDD: AVR-NSV16E2N-28T
- 36TB HDD: AVR-NSV16E2N-36T