

H10Z1218PDC

10X 12~120mm F1.8
for 1/2" format cameras
C-Mount

With Preset

Model No.	H10Z1218PDC		Effective	Front	φ 54.0mm
Focal Length	12~120mm		Lens Aperture	Rear	φ 9.2mm
Max. Aperture Ratio	1 : 1.8		Back Focal Length	14.4 mm	
Max. Image Format	6.4 x 4.8mm (φ 8mm)		Flange Back Length	17.526 mm	
Operation Range	Iris	F1.8 ~ 560	Mount	C-Mount	
	Focus	1.5m ~ Inf.	Filter Size	M62 P=0.75 mm	
	Zoom	12~120mm	Tripod Screw	1/4"-20UNC	
Control	Iris	DC Auto Iris(by galvanometer)	Dimensions	W70 x H79.5 x D123.5mm	
	Focus	Motorized, Preset	Weight	670g	
	Zoom	Motorized, Preset			
Object Dimension at M.O.D.	12mm	78.7 x 58.9cm			
	120mm	8.1 x 6.0cm			
Angle of View	D	36.4~3.8°	1/3"	27.6~2.9°	
	H	29.4~3.1°		22.2~2.3°	
	V	22.2~2.3°		16.7~1.8°	
Control	Focus		Zoom		
Supply Voltage	DC8V		DC8V		
Current	45mA or less		50mA or less		
Response Time	Approx. 5.5 sec.		Approx. 5.5 sec.		
Preset Potentiometer	5KΩ VR		5KΩ VR		
Iris	Drive Coil	190Ω			
(DC Auto Iris)	Control Coil	1000Ω			
Operating Temperature	-10°C ~ +50°C				

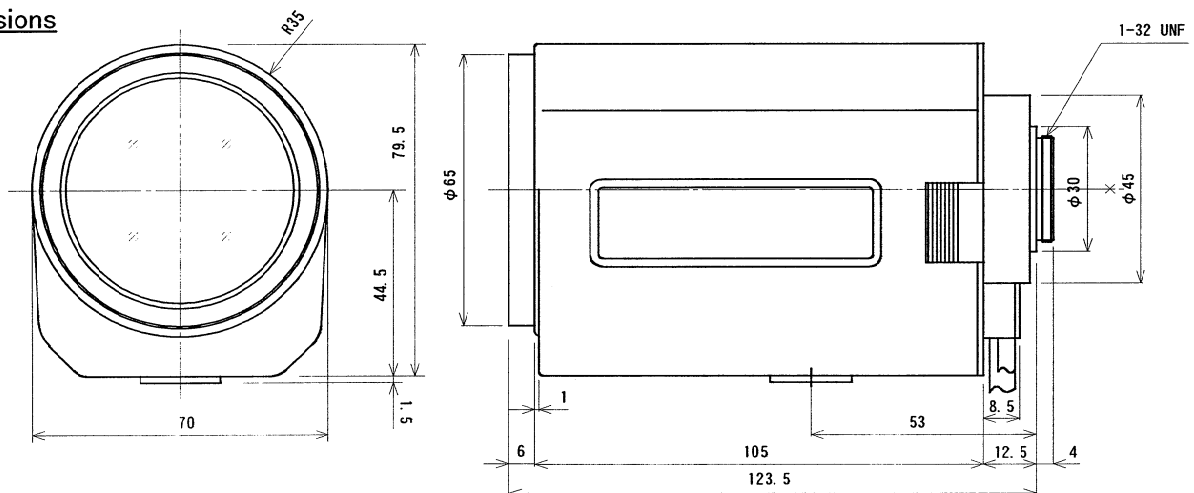
1/2

C

ZA

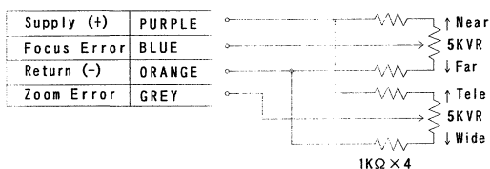
M.O.D. : Minimum Object Distance

Dimensions

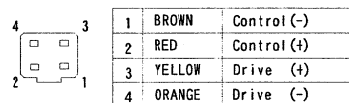


Wiring Diagram

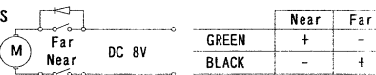
PRESET POTENTIOMETER



IRIS



FOCUS



ZOOM



Remarks: Connect together with Black(Focus) and Red(Zoom) for common system when necessary.