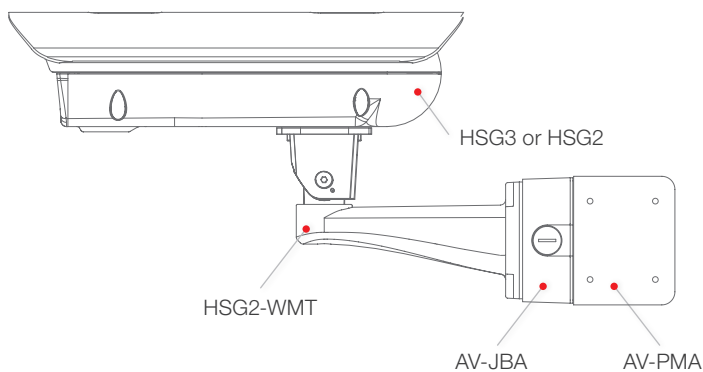


# MegaVideo® Series Accessories

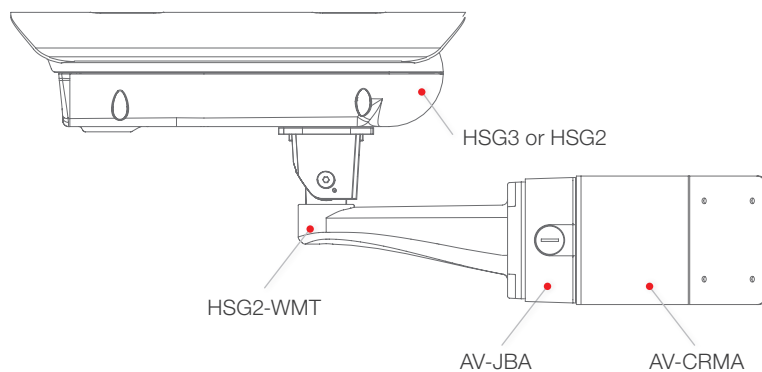
Accessories for Indoor/Outdoor Ceiling, Wall, Pole and Corner Mounting Solutions



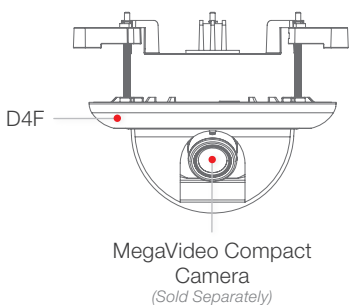
**Wall Mount Configuration with Pole Mount Adapter**



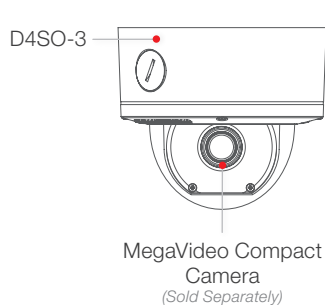
**Wall Mount Configuration with Corner Mount Adapter**



**D4F Configuration with Camera**



**D4SO-3 Configuration with Camera\***



## Compatible Cameras



**MegaVideo® 4K**

**MegaVideo® G5**

**MegaVideo® Compact**

\* See Standard Dome Accessories Data Sheet for D4SO-3 Accessories

## HSG3

Outdoor Impact-Resistant Housing

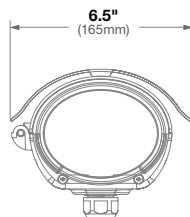
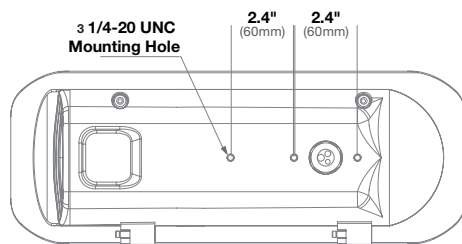
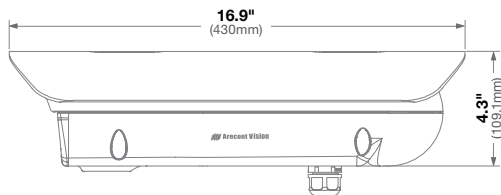


**Features:**

- Easy Installation and Superior Design for Various Environments
- Excellent Outdoor Rated IP67 Enclosure Protection and Impact-Resistant
- Heater and Dual Fans

<b>Compatibility</b>	<b>Camera</b>	Works with MegaVideo Series cameras
	<b>Lens</b>	Compatible with all Arecont Vision Lenses**

<b>Mechanical</b>	<b>Casing</b>	Die-cast aluminum
		IP67 weather proof standard
		IK-10 impact-resistant
	<b>Color</b>	Ivory (Pantone® Cool Gray 1C)
	<b>Dimensions</b>	6.5" W (165mm) x 4.3" H (109.1mm) x 16.9" L (430mm)
	<b>Weight</b>	<b>w/o Camera</b> 4.3lbs (1.95kg)



## HSG2

Outdoor Impact-Resistant Housing

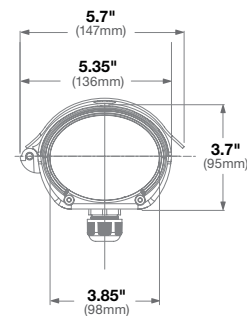
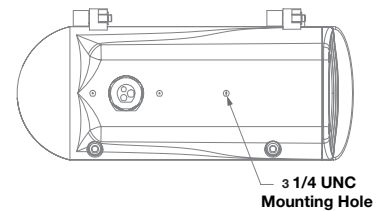
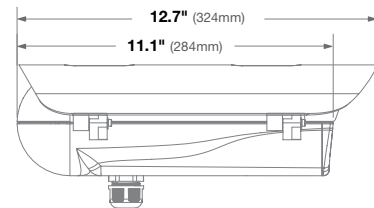


**Features:**

- Easy Installation and Superior Design for Various Environments
- Excellent Outdoor Rated IP67 Enclosure Protection and Impact-Resistant
- Heater and Dual Fans

<b>Compatibility</b>	<b>Camera</b>	Works with MegaVideo Series cameras
	<b>Lens</b>	Compatible with all Arecont Vision Lenses**

<b>Mechanical</b>	<b>Casing</b>	Die-cast aluminum
		IP67 weather proof standard
		IK-10 impact-resistant
	<b>Color</b>	Ivory (Pantone® Cool Gray 1C)
	<b>Dimensions</b>	5.7" W (147mm) x 3.7" H (95mm) x 12.7" L (324mm)
	<b>Weight</b>	<b>w/o Camera</b> 3.76lbs (1.71kg)



\*\* Compatible with UHD30-120MPI lens. HSG2 is compatible with large Arecont Vision lenses when using HSG-LLA large lens adapter.

# HSG2-WMT

Wall Mount

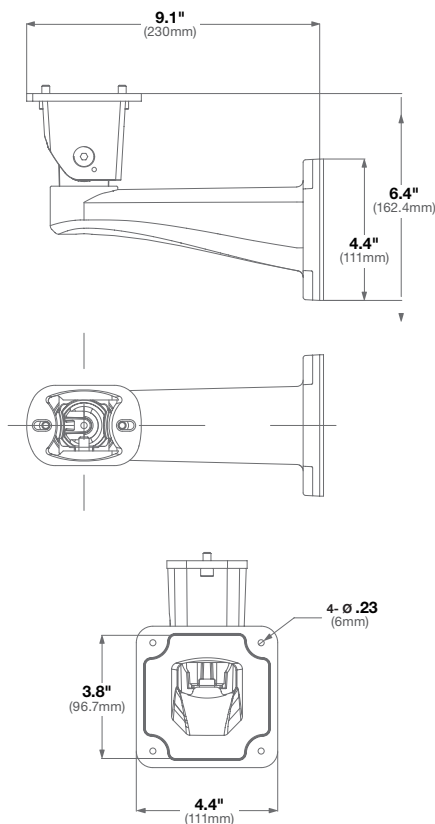


**Features:**

- Easy Installation and Superior Design
- Heavy Duty Outdoor Rated IP67 Enclosure Protection for Applications in Harsh Environments
- Die-Cast Aluminum is Resistant to Impact and Salt Damage

<b>Compatibility</b>	Works with HSG3 and HSG2
----------------------	--------------------------

<b>Mechanical</b>	<b>Casing</b>	Die-cast aluminum
		IP67 weather proof standard
		IK-10 impact-resistant
	<b>Color</b>	Ivory (Pantone® Cool Gray 1C)
	<b>Dimensions</b>	4.4" W (111mm) x 6.4" H (162mm) x 9.1" L (230mm)
	<b>Weight</b>	<b>w/o Camera</b> 1.49lbs (0.68kg)



# AV-EBAS

Electrical Box Adapter Square

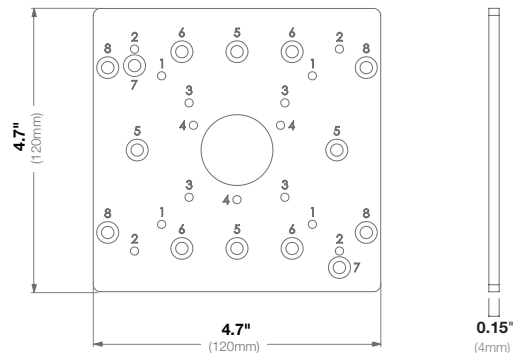


**Features:**

- Easy Installation and Superior Design
- Heavy Duty Enclosure Protection for Applications in Harsh Environments
- Die-Cast Aluminum is Resistant to Impact and Salt Damage

<b>Compatibility</b>	Compatible with 3/4" NPT standard
	Works with MegaDome® Series, MegaView® Series, MicroBullet®, SurroundVideo® Panoramic Series, AV-JBA, AV-WMJB, AV-SWMJB, MCD-WMT, MDD-WMT, HSG2-WMT, and AV-PMJB

<b>Mechanical</b>	<b>Casing</b>	Die-Cast Aluminum
		IP66 Weather Proof Standard
		IK-10 Impact-Resistant
	<b>Color</b>	Ivory (Pantone Cool Gray 1C)
	<b>Dimensions</b>	4.7" L (120mm) x 0.15" W (4mm) x 4.7" H (120mm)
	<b>Weight</b>	<b>w/o Camera</b> 0.33lbs (0.13kg)



Hole No.	Model Compatibility
1	AV-JBA, AV-WMJB, AV-PMJB, MegaDome 2***, MegaView 2 (standard), SurroundVideo Panoramics***
2	HSG2-WMT, AV-WMJB bracket, AV-PMJB bracket, MegaView 2 bracket
3	AV-SWMJB, MCD-WMT, MDD-WMT
4	MicroBullet
5	Single Gang Box
6	Double Gang Box
7	4S Box (4" Square, 4" Octagonal)
8	4-11/16" Square Box

\*\*\* The mounting plate on MegaDome 4K and SurroundVideo G5 Mini negate the need for a separate electrical box adapter and therefore this accessory is not applicable.

**Quick Installation:**

1. Pass cables through the center hole of the adapter plate.
2. Attach the adapter plate to the electrical box (sold separately) using the appropriate hardware and mounting holes.
3. Attach the compatible part noted above.



### D4SO-3\*

Outdoor Surface Mount Dome

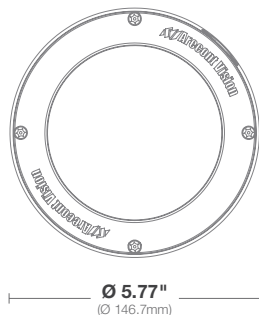
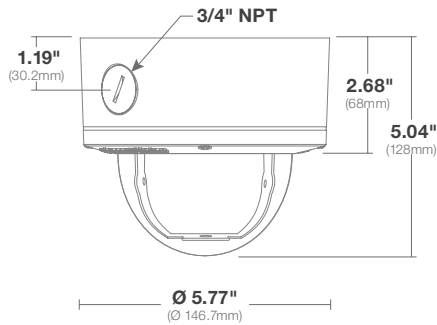


**Features:**

- Outdoor Rated IP66 and IK-10 Impact-Resistant Housing
- Die-Cast Aluminum is Resistant to Impact and Salt Damage
- Easy Installation and Superior Design with Magnetic Fasteners and Mount Plate

<b>Compatibility</b>	<b>Camera</b>	Works with MegaVideo G5 and MegaVideo Compact cameras
	<b>Lens</b>	Compatible with MPL33-12A, MPL2.8-8.5MPI, and MPL3.3-8.5MPI

<b>Mechanical</b>	<b>Casing</b>	Die-cast aluminum chassis, polycarbonate dome
		IP66 weather proof standard
		IK-10 impact-resistant
	<b>Color</b>	Ivory (Pantone® Cool Gray 1C)
	<b>Dimensions</b>	Ø 5.77" (146.7mm) x 5" H (128mm)
<b>Weight</b>	<b>w/o Camera</b>	2.28lbs (1.03kg)



### D4F

Indoor Flush Mount Dome

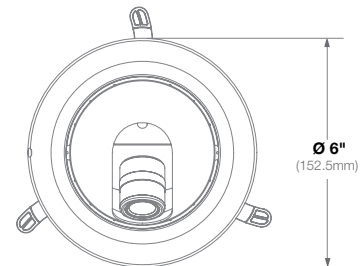
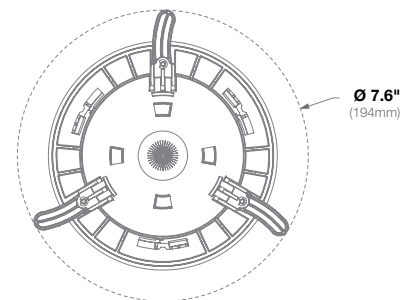
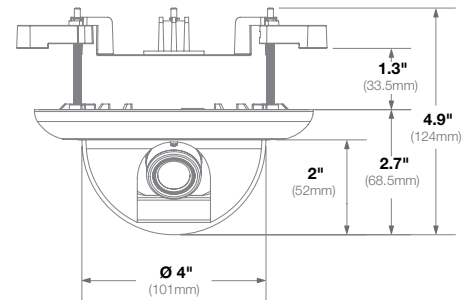


**Features:**

- Easy Installation and Superior Design
- Low Profile Installation

<b>Compatibility</b>	<b>Camera</b>	Works with MegaVideo Compact cameras
	<b>Lens</b>	Compatible with MPL33-12A

<b>Mechanical</b>	<b>Casing</b>	Acrylonitrile Butadiene Styrene (ABS) plastic housing, acrylic (PMMA) dome
	<b>Color</b>	Ivory (Pantone® Cool Gray 1C)
	<b>Dimensions</b>	Ø 6" (152.5mm) x 4.9" H (124mm)
	<b>Weight</b>	<b>w/o Camera</b>



\* See Standard Dome Accessories Data Sheet for D4SO-3 Accessories

## AV-PMA

Pole Mount Adapter

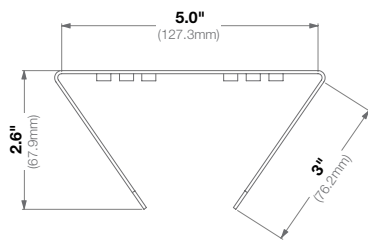
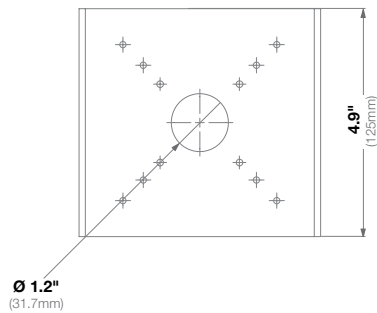


### Features:

- Easy Installation and Superior Design
- Heavy Duty Enclosure Protection for Applications in Harsh Environments
- Die-Cast Aluminum is Resistant to Impact and Salt Damage

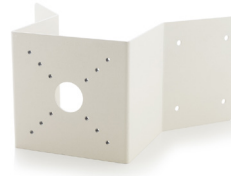
<b>Compatibility</b>	Compatible with 2"-7" pole diameter
	Works with AV-WMJB, AV-SWMJB, MDD-WMT, MCD-WMT, and AV-JBA

<b>Mechanical</b>	<b>Casing</b>	Die-cast aluminum
		IP66 weather proof standard
		IK-10 impact-resistant
	<b>Color</b>	Ivory (Pantone® Cool Gray 1C)
	<b>Dimensions</b>	5.01" W (127.32mm) x 4.92" H (125mm)
<b>Weight</b>	<b>w/o Camera</b> 0.32lbs (0.15kg)	



## AV-CRMA

Corner Mount Adapter

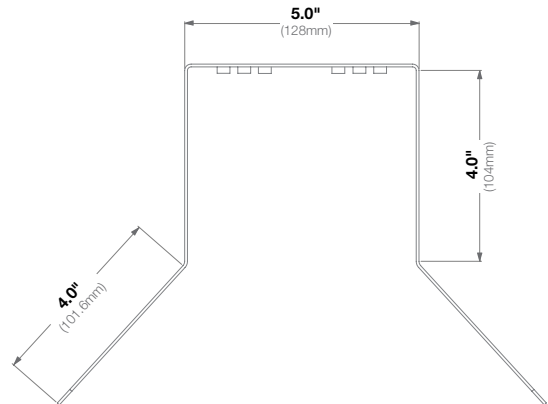
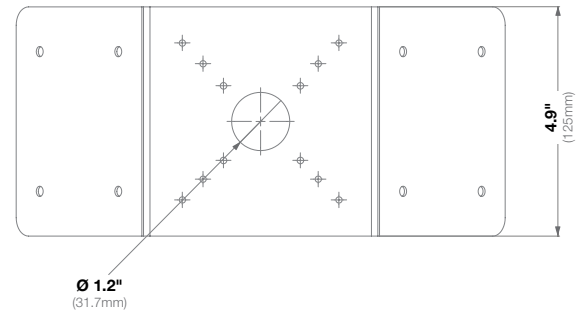


### Features:

- Easy Installation and Superior Design
- Heavy Duty Enclosure Protection for Applications in Harsh Environments
- Die-Cast Aluminum is Resistant to Impact and Salt Damage

<b>Compatibility</b>	Works with AV-WMJB, AV-SWMJB, MDD-WMT, MCD-WMT, and AV-JBA
----------------------	--

<b>Mechanical</b>	<b>Casing</b>	Die-cast aluminum
		IP66 weather proof standard
		IK-10 impact-resistant
<b>Color</b>	Ivory (Pantone® Cool Gray 1C)	
<b>Dimensions</b>	13.04" W (331.25mm) x 4.92" H (125mm)	
<b>Weight</b>	<b>w/o Camera</b> 0.59lbs (0.27kg)	



# AV-JBA

Square Standard Junction Box



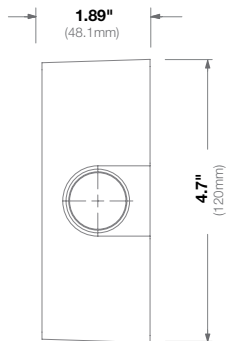
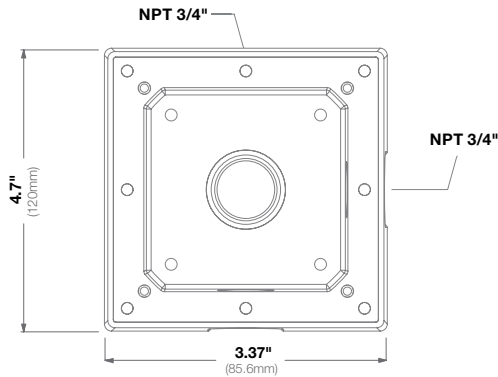
**Features:**

- Easy Installation and Superior Design
- Heavy Duty Enclosure Protection for Applications in Harsh Environments
- Die-Cast Aluminum is Resistant to Impact and Salt Damage

**Compatibility** Compatible with 3/4" NPT standard

Works with AV-PMJB†, AV-WMJB†, HSG2-WMT, MCD-JBAS, MCB-JBAS, and MegaView® 2†

<b>Mechanical</b>	<b>Casing</b>	Die-cast aluminum
		IP66 weather proof standard
		IK-10 impact-resistant
	<b>Color</b>	Ivory (Pantone® Cool Gray 1C)
	<b>Dimensions</b>	4.7" L (120mm) x 4.7" W (120mm) x 1.89" H (48.1mm)
	<b>Weight</b>	w/o Camera 1.3lbs (0.63kg)



† Replacement part for these models

Rev 002.001 © 2017 Arecont Vision®, All rights reserved. Arecont Vision, the Arecont Vision logo, and MegaView, MegaDome, MegaVideo, MicroBullet, and SurroundVideo are registered trademarks of the company.

