

# **ENFORCER®**

**PR-2121-PQ, PR-2123-PQ, PR-2125-PQ**

**Wiegand Proximity Reader**

## **Manual**



PR-2121-PQ

PR-2123-PQ

PR-2125-PQ

### **Features:**

- 9~24 VDC Operation
- Low current draw – 50mA max.
- Built-in buzzer for external alarm input
- Multicolor status LED
- EM 125 kHz
- 10 User proximity cards included
- Outdoor rated – IP66
- Extreme cold tolerance to -40° F (-40° C)
- Wiegand output reader – EM 26 bits
- Sturdy black ABS plastic housing

# ENFORCER Wiegand Proximity Reader

## Parts List:

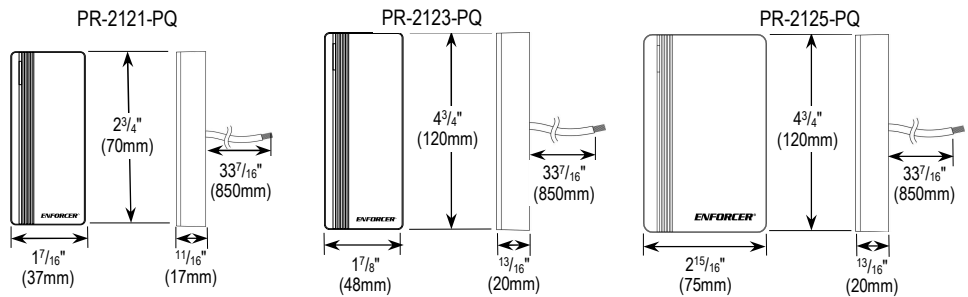
1x Proximity reader	2x Mounting screws	2x Plastic screw anchors
10x User proximity cards*	1x Manual	

\*Additional proximity cards or key fobs available from SECO-LARM (see pg. 4).

## Specifications:

Model	PR-2121-PQ	PR-2123-PQ	PR-2125-PQ
Operating voltage	9-24 VDC		
Current draw	Standby	20mA@12VDC	
	Active	50mA@12VDC (max.)	
Outputs	Wiegand		
Card type	EM – 26 bits		
Card read range	125kHz EM		
IP Rating	0-2" (0~5 cm)		
Enclosure material	IP66		
Operating temperature	Black ABS plastic		
Operating humidity	-40°~140° F (-40°~60° C)		
Operating humidity	10~98% non-condensing		
Dimensions	17/16" x 2 3/4" x 1 1/16" (37x70x17 mm)	17/8" x 4 3/4" x 1 3/16" (48x120x20 mm)	2 15/16" x 4 3/4" x 1 3/16" (75x120x20 mm)
Weight	1.7-oz (48g)	3.7-oz (105g)	5.5-oz (155g)

## Overview:



## Important Notes:

**IF USING THE READER WITH A MECHANICALLY OPERATED DOOR OR GATE, MOUNT THE UNIT AT LEAST 15' (5m) FROM THE DOOR OR GATE TO PREVENT USERS FROM BEING CRUSHED OR PINNED. FAILURE TO DO SO MAY RESULT IN SERIOUS INJURY OR DEATH.**

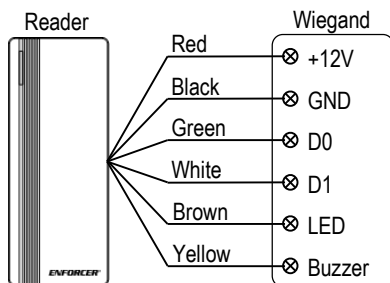
1. Always disconnect power before servicing the reader. Do not apply power until all connection wiring is completed.
2. The reader must be properly grounded. Use a minimum 22AWG wire connected to the common ground wire. Failure to do so may damage the unit.
3. All wiring and programming should be done by a professional installer to reduce the risk of improper installation.
4. Be sure to store this manual in a safe place for future reference.

## LED Indicators and Device Sounds:

Status	Sounds	LED
Power on in standby mode	--	Red steady
Card read	1 Beep	Green flash once

## Wiring Chart:

Color	Function	Description
Red	Power (+)	Connect to +12VDC power supply
Black	Ground (-)	Connect to Ground
Yellow	Buzzer	Connect to Wiegand controller buzzer output
Brown	Green LED	Connect to Wiegand controller LED output
Green	Data 0	Wiegand controller
White	Data 1	Wiegand controller



## Wiegand Reader Operation:

The reader operates as a standard Wiegand reader with an external controller. All function programming is done on the Wiegand controller. The controller should be set to 26 bits.

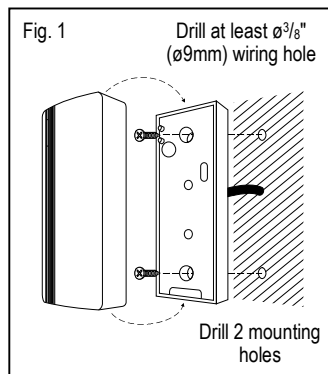
Connect reader and controller as shown in the diagram above.

### NOTES:

- The brown wire will control the LED. When its voltage is low, the LED will become green.
- The yellow wire will control the internal buzzer. When its voltage is low, the buzzer will sound.

## Installation:

1. Find a suitable location at a height convenient to most users.
2. Insert a small screwdriver or other flat object into the slot at the top rear of the reader and gently pry the reader from the base.
3. Using the housing base as a template, mark the holes needed for the wiring and mounting screws and drill needed holes (Fig. 1). Ensure that the wiring hole is large enough to allow the wiring to be pushed in without crimping.
4. Run wiring through the wall to the wiring hole in the wall
5. Thread the reader wires through the center of the reader base and connect all according to "Wiring Chart" above.
6. Carefully push the wires through the hole in the wall.
7. Install the base using the included mounting screws and mounting screw anchors (if necessary). Ensure the correct orientation as shown in Fig. 1.
8. Reattach the reader to the base pressing until you hear a click securing the reader to the base.



**NOTE:** For weatherproof installation, add a bead of silicone sealant around the base where it meets the wall.

# ENFORCER Wiegand Proximity Reader

---

## User Operation of the Reader:

- Present the proximity card to activate the controller.
- You should hear 1 beep and the status LED should turn green to indicate that the user card is accepted and sent to the controller.

---

## Additional Accessories Available from SECO-LARM®:

### PR-K1K1-AQ

Proximity key fobs  
(sold in packs of 10)



### PR-K1S1-A

Proximity cards  
(sold in packs of 10)



---

**IMPORTANT WARNING:** For a weather-resistant installation, ensure that the unit is properly sealed where the housing base meets the wall. Incorrect mounting may lead to exposure to rain or moisture in the enclosure which could cause a dangerous electric shock, damage the device, and void the warranty. Users and installers are responsible for ensuring that this product is properly installed and sealed.

---

**IMPORTANT:** Users and installers of this product are responsible for ensuring that the installation and configuration of this product complies with all national, state, and local laws and codes related to locking and egress devices. SECO-LARM will not be held responsible for the use of this product in violation of any current laws or codes.

---

## FCC COMPLIANCE STATEMENT

FCC ID: K4E2612SPQ

THIS DEVICE COMPLIES WITH PART 15 OF THE FCC RULES. OPERATION IS SUBJECT TO THE FOLLOWING TWO CONDITIONS: (1) THIS DEVICE MAY NOT CAUSE HARMFUL INTERFERENCE AND (2) THIS DEVICE MUST ACCEPT ANY INTERFERENCE RECEIVED, INCLUDING INTERFERENCE THAT MAY CAUSE UNDESIRE OPERATION.

Notice: The changes or modifications not expressly approved by the party responsible for compliance could void the user's authority to operate the equipment.

IMPORTANT NOTE: To comply with the FCC RF exposure compliance requirements, no change to the antenna or the device is permitted. Any change to the antenna or the device could result in the device exceeding the RF exposure requirements and void user's authority to operate the device.

---

**WARRANTY:** This SECO-LARM product is warranted against defects in material and workmanship while used in normal service for one (1) year from the date of sale to the original customer. SECO-LARM's obligation is limited to the repair or replacement of any defective part if the unit is returned, transportation prepaid, to SECO-LARM. This Warranty is void if damage is caused by or attributed to acts of God, physical or electrical misuse or abuse, neglect, repair or alteration, improper or abnormal usage, or faulty installation, or if for any other reason SECO-LARM determines that such equipment is not operating properly as a result of causes other than defects in material and workmanship. The sole obligation of SECO-LARM and the purchaser's exclusive remedy, shall be limited to the replacement or repair only, at SECO-LARM's option. In no event shall SECO-LARM be liable for any special, collateral, incidental, or consequential personal or property damage of any kind to the purchaser or anyone else.

---

**NOTICE:** The SECO-LARM policy is one of continual development and improvement. For that reason, SECO-LARM reserves the right to change specifications without notice. SECO-LARM is also not responsible for misprints. All trademarks are the property of SECO-LARM U.S.A., Inc. or their respective owners. Copyright © 2019 SECO-LARM U.S.A., Inc. All rights reserved.

---

## SECO-LARM® U.S.A., Inc.

16842 Millikan Avenue, Irvine, CA 92606  
Phone: (949) 261-2999 | (800) 662-0800

Website: [www.seco-larm.com](http://www.seco-larm.com)  
Email: [sales@seco-larm.com](mailto:sales@seco-larm.com)

 PICSNS

MI\_PR-212x-PQ\_191105.docx