

NVR-S3-P Series



Key Features

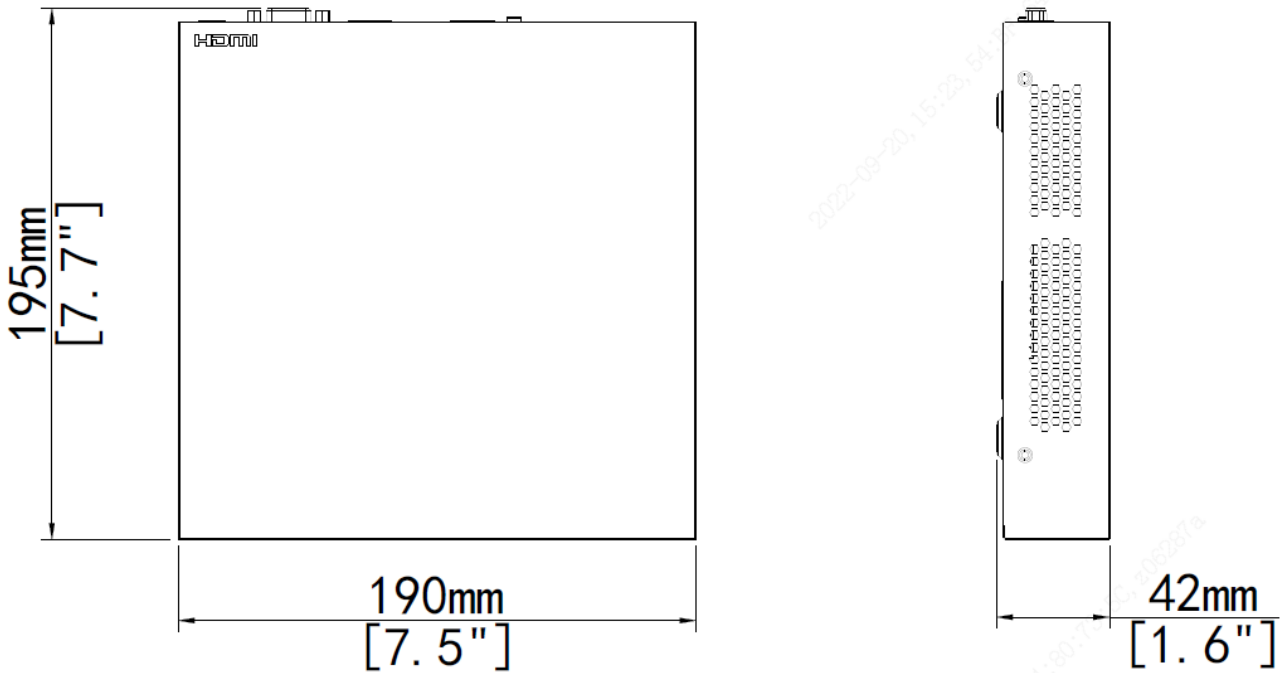
- Support Ultra 265/H.265/H.264 video formats
- 4/8-channel input
- Plug & Play with 4/8 independent PoE network interfaces
- Third-party IP cameras supported with ONVIF conformance: Profile S, Profile G, Profile T
- Support 1-ch HDMI, 1-ch VGA
- HDMI and VGA simultaneous output
- Up to 6MP resolution recording
- 1 SATA HDD up to 6TB
- Support cloud upgrade

Specifications

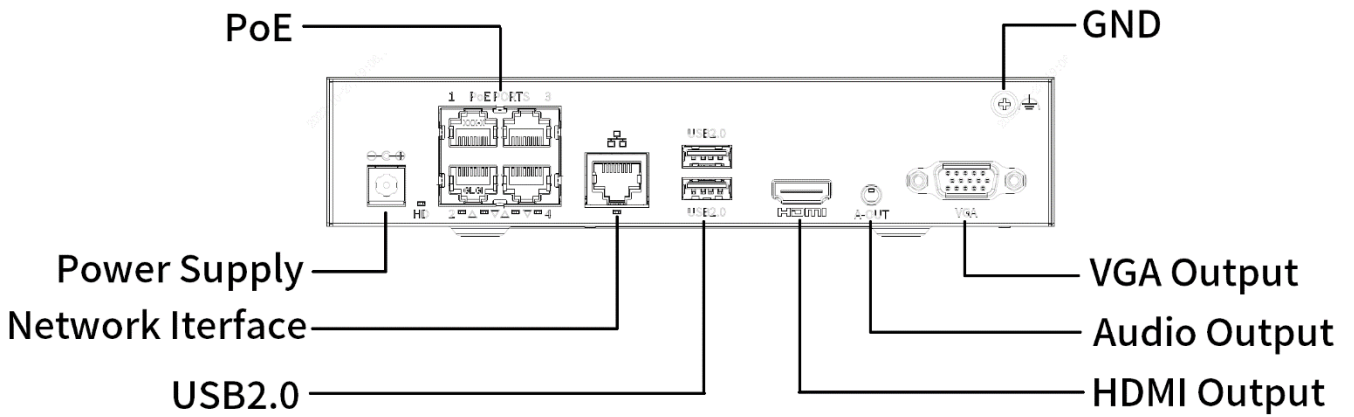
Model	NVR-104S3-P4	NVR-108S3-P8
Video/Audio Input		
IP Video Input	4-ch	8-ch
Network		
Incoming Bandwidth	64Mbps	
Outgoing Bandwidth	48Mbps	
Remote Users	128	
Protocols	TCP/IP, P2P, UPnP, DHCP, HTTP, HTTPS, DNS, DDNS, SMTP	
Video/Audio Output		
HDMI/VGA Output	HDMI: 1920x1080/60Hz, 1920x1080/50Hz, 1600x1200/60Hz, 1280x1024/60Hz, 1280x720/60Hz, 1024x768/60Hz VGA: 1920x1080/60Hz, 1920x1080/50Hz, 1600x1200/60Hz, 1280x1024/60Hz, 1280x720/60Hz, 1024x768/60Hz	

Audio Output	1-ch, 3.5mm	
Recording Resolution	6MP/5MP/4MP/3MP/1080P/960P/720P/960H/D1/2CIF/CIF	
Synchronous Playback	4-ch	8-ch
Corridor Mode Screen	3/4	3/4/5/7/9
Decoding		
Decoding format	Ultra 265/H.265/H.264	
Live view/Playback	6MP/5MP/4MP/3MP/1080P/960P/720P/960H/D1/2CIF/CIF	
Capability	1 x 6MP@30, 1 x 5MP@30, 2 x 4MP@30, 2 x 3MP@30, 4 x 1080p@30, 8 x 720p@30, 16 x D1@25	
Hard Disk		
SATA	1 SATA interface	
Capacity	Up to 6TB for each disk	
Smart		
VCA Detection by Camera	Intrusion Detection, Cross Line Detection, Enter Area, Leave Area, Audio Detection, Auto Tracking	
VCA Search	Behavior Search	
Smart Intrusion Prevention (SIP) by Camera	4-ch(supports channel 1-4; Alarm only, no image)	
General Alarm		
General Alarm	Motion, Human Body Detection, Video Loss, Alarm Input	
Alert Alarm	IP Conflict, Network Disconnected, Disk Offline , Disk Abnormal, Illegal Access	
External Interface		
Network Interface	1 RJ45 10M/100M self-adaptive Ethernet Interface	
USB Interface	Rear panel: 2 x USB2.0	
RS232	NA	
RS485	NA	
Alarm In	NA	
Alarm Out	NA	
PoE		
Interface	4 RJ45 10M/100M self-adaptive Ethernet Interface	8 RJ45 10M/100M self-adaptive Ethernet Interface
Max Power	Max 30W for single port Max 50W in total	Max 30W for single port Max 75W in total
Supported Standard	IEEE 802.3at, IEEE 802.3af	
General		
Power Supply	48V DC Power Consumption: ≤6 W (without HDD)	52V DC Power Consumption: ≤6 W (without HDD)
Working Environment	-10°C ~ + 55°C (+14°F ~ +131°F), Humidity ≤ 90% RH (non-condensing)	
Dimensions (W×D×H)	190mm × 195mm × 42mm (7.5" × 7.7" × 1.6")	
Weight (without HDD)	≤1.0kg (2.20 lb)	
Certification		
Certification	CE FCC WEEE	

Dimensions



Rear Panel



www.uniview.com/uniarch

©2022 Zhejiang Uniview Technologies Co., Ltd. All rights reserved.

*Product specifications and availability are subject to change without notice.