



High Image Quality Monitoring

High image-quality monitoring with optical performance supporting 6 megapixels. Advanced design engineering and special optic glass adopted, best suited for color, Black & White, and Day and Night cameras. With 12-40mm at 3.3x optical zooming capability, clear image at telephoto application can be achieved.

SLA-E-M1240DN

6 Megapixel Day/Night Varifocal 1/2"

- Design for 6MP CS mount surveillance box camera
- Full glass optical composition with metal body
- 12-40mm /F1.8
- IR Corrected
- DC Auto Iris



SLA-E-M1240DN

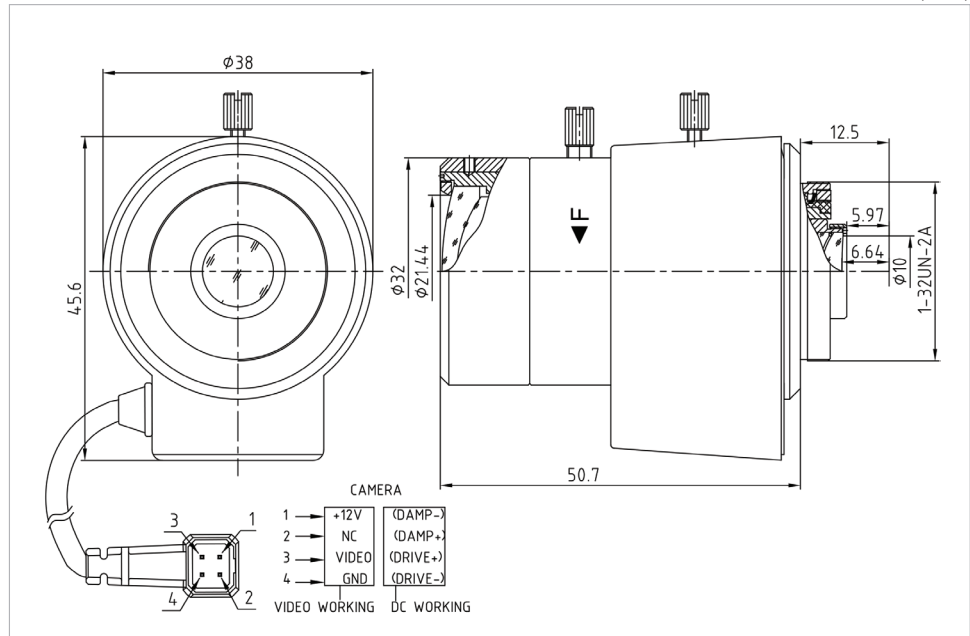


Specifications

SLA-E-M1240DN	
Description	6 Megapixel Resolution
Sensor	CCD/CMOS
Image Circle	1/2"
Focal Length	12 ~ 40mm
Aperture	1.8 ~ 360
(F.O.V)/D/H/V	38° ~ 12° / 30° ~ 10.2°/22°~ 8°
Back Focal Lenth	6.63 ~ 9.43mm
Effective Aperture	Front: 21.44mm; Rear: 10mm
Distortion	8.2%
Iris	DC Auto Iris
M.O.D	0.5m
Mount	CS

Dimensions

Unit : mm (inch)



The Eco mark represents Samsung Techwin's will to create environment-friendly products, and indicates that the product satisfies the EU RoHS Directive.

Design and specifications are subject to change without notice.

■ DISTRIBUTED BY

SAMSUNG TECHWIN AMERICA Inc.
 100 Challenger Rd. Suite 700 Ridgfield Park, NJ 07660
 Toll Free : +1-877-213-1222 Direct : +1-201-325-6920
 Fax : +1-201-373-0124



SAMSUNG TECHWIN