

VMGB-352

4MP Metadata Camera with Day/Night, IR LED, Built-in Temperature Measurement, Fire Detection



- 4 Megapixel Thermal and Optical Metadata Camera
- Day & Night with IR LED
- Built-in Temperature Measurement, Fire Detection
- Not available in the USA

► Specifications

Device

Product Type	Metadata Camera
Maximum Resolution	4MP
Product Application	Temperature Measurement, Fire Detection
Application Environment	Outdoor
Description	Thermal and 4MP H.265 network Bullet camera for behavior analysis function which is based on deep learning algorithm as Line crossing, Intrusion and area enter and exit that are for perimeter defense purpose. The thermal imaging module is for advanced fire detection as a fire-prevention.
Image Sensor	Progressive Scan CMOS + Thermal sensor
Sensor Size	Optical: 1/2.7 "
Effective Pixels	Thermal: 160(H) X 120(V)
Spectral Range	8-14µm
Thermal Sensitivity	NETD <40mK at F1.1
Spatial Resolution	2.74 mrad
Day / Night	Yes
Low Light Sensitivity	Superior
Mechanical IR Cut Filter	Yes
IR LED	Adaptive IR LED (850-940 nm)

IR Working Distance	40m
Electronic Shutter	1-1/100000 second (auto mode)

Lens

Number of Lenses	2 Lenses
Focal Length	Thermal camera Fixed focal, f6.2mm Visual camera Fixed focal, f8.0mm
Horizontal Viewing Angle	(Visual camera) 39.42° (Thermal camera) 25°
Vertical Viewing Angle	(Visual camera) 22.14° (Thermal camera) 18.7°

Video

Compression	H.265, H.264, MJPEG
Maximum Frame Rate vs. Resolution	(Visual camera) 30 fps at 2688 x 1520 30 fps at 1920 x 1080 30 fps at 1280 x 960 30 fps at 1280 x 720 (Thermal camera) 30 fps at 1280 x 720 30 fps at 704 x 576 30 fps at 640 x 480 30 fps at 352 x 288 30 fps at 320 x 240
Multi-Streaming	Simultaneous dual streams
Wide Dynamic Range	Superior WDR (120 dB)
Digital Noise Reduction	3D DNR
Built-in Analytics	Object Line Crossing Detection, Object Enter Area Detection, Object Exit Area Detection, People Line Crossing Detection, People Enter Area Detection, People Exit Area Detection, Vehicle Line Crossing Detection, Vehicle Enter Area Detection, Vehicle Exit Area Detection, Intrusion Detection (Forbidden Area Detection), Fire Detection

Audio

Audio Type	2-way, Mic-in, Line-in, Line-out
Audio Compression	G.711 u-law, G.711 A-law, G.722.1, MP2L2, G.726, PCM

Network

Ethernet Port	1 x Ethernet (10/100 Base-T), RJ-45 connector
---------------	---

Video Analytics

Analysis Source Type	Video
Metadata Accuracy	Excellent

Temperature Measurement

Temperature Range	-20°C ~ 150°C (-4°F ~ 302°F)
Temperature Accuracy	±8°C (14.4°F)

Detection Range

Triggering Analytics Event Notification	(People 1.8x0.5m) 42m (Vehicle 1.4x4.0m) 126m (Supported Analytics Events included Line Crossing Detection, Enter Area Detection and Exit Area Detection for People, Vehicle and any objects.)
Triggering Temperature Notification	(Object 1x1m) 66m (Object 2x2m) 132m
Triggering Fire Detection Event Notification	(Object 1x1m) 180m (Object 2x2m) 360m
Observation Range	Detection: People 182m; Vehicle 559m Recognition: People 46m; Vehicle 140m Identification: People 23m; Vehicle 70m (People: 1.8 x 0.5m) (Vehicle: 1.4 x 4.0m)

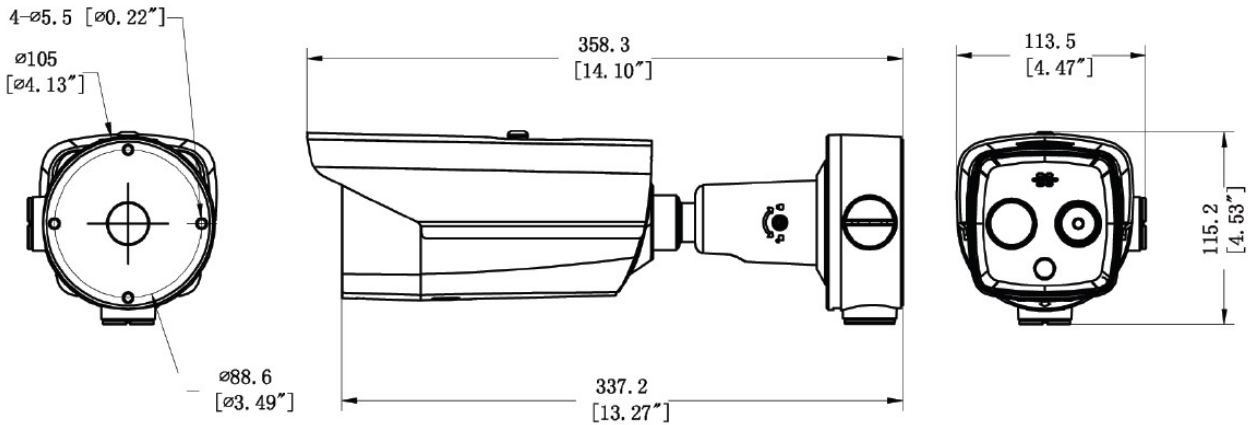
Interface

Serial Port	1 x RS-485
Audio Interface	1/1, 3.5mm Phone Jack
Local Storage	MicroSD, MicroSDHC, MicroSDXC Memory Card Slot (card not included, up to 128GB)
Digital Input/Output	2/2

General

Power Source	DC 12V, PoE Class 3 (IEEE802.3af)
Power Consumption	7.5 W (DC), 8 W (PoE)
Weight	1760g (3.88lb)
Dimensions	(W x H x D): 113.5mm x 115.2mm x 358.4mm (4.47" x 4.53" x 14.10")
Environmental Casing	Weatherproof (IP66)
Operating Temperature	-40°C ~ 65°C (-40°F ~ 149°F)
Approvals	IP66
Warranty	3 Year(s). For extended warranty offering, see http://www.acti.com/support/warranty


► **Dimension Diagram**



Unit: mm [inch]

► **Related Products**

Mounting Accessories - Camera Mount


PMAX-0524		Pole Mount (for A416, A418, A419, A44, A45, A46, A48, VMGB-351, B419-P2), supports 2.64" to 5" Poles
-----------	---	--

Note: Some mounting accessories may need additional accessories for installation. Please check www.acti.com/mountingselector for more information.

Power Supply Accessories - Power Adapter

PPBX-0012		Power Adapter AC 100~240V (US), for A3x, A4x, A88, A9x, Z31, Z8x, Z9x
PPBX-0013		Power Adapter AC 100~240V (EU), for A3x, A4x, A88, A9x, Z31, Z8x, Z9x
PPBX-0014		Power Adapter AC 100~240V (UK), for A3x, A4x, A88, A9x, Z31, Z8x, Z9x

Power Supply Accessories - PoE Injector

PPOE-0001		PoE Injector IEEE 802.3af compliant, AC 100~240V, with universal connectors
-----------	---	---