

# VMGB-359

## 4MP Temperature Measurement Thermal Bullet with D/N, Adaptive IR, Superior WDR, SLLS, Fixed Lens



- Temperature Measurement
- 4 Megapixel
- Day & Night with Superior Low Light Sensitivity and Adaptive IR LED
- Fixed Lens with f8.0mm/
- Superior WDR
- H.265 Compression
- Built-in Analytics
- Event trigger, response and notification

### ► Specifications

#### Device

|                          |  |
|--------------------------|--|
| Product Type             | Thermal Bullet   |
| Maximum Resolution       | 4MP  |
| Product Application      | Temperature Measurement  |
| Application Environment  | Outdoor  |
| Description              | Thermal network Bullet camera with 4MP H.265 optical module, for behavior analysis functions as Line crossing, Intrusion and area enter and exit that are for perimeter defense purpose. |
| Image Sensor             | Progressive Scan CMOS + Thermal sensor   |
| Sensor Size              | Optical: 1/2.7 "   |
| Effective Pixels         | Thermal: 160(H) X 120(V)   |
| Spectral Range           | 8-14μm   |
| Thermal Sensitivity      | NETD <40mK at F1.1   |
| Spatial Resolution       | 2.74 mrad  |
| Day / Night              | Yes  |
| Low Light Sensitivity    | Superior   |
| Minimum Illumination     | Color: 0.017 lux at F2.25 (AGC on); B/W: 0.003 lux at F2.25 (AGC on)   |
| Mechanical IR Cut Filter | Yes  |

|                            |                               |
|----------------------------|-------------------------------|
| IR LED                     | Adaptive IR LED               |
| IR Working Distance        | 40m                           |
| White LED                  | White LED                     |
| White LED Working Distance | 40m                           |
| Electronic Shutter         | 1-1/100000 second (auto mode) |

**Lens**

|                          |  |
|--------------------------|--|
| Number of Lenses         | 2 Lenses   |
| Focal Length             | (Thermal camera) Fixed focal, f6.2mm (Visual camera) Fixed focal, f8.0mm |
| Focus                    | Fixed focus  |
| Horizontal Viewing Angle | (Thermal camera) 25.0° (Visual camera) 39.42°                            |
| Vertical Viewing Angle   | (Thermal camera) 18.7° (Visual camera) 22.14°                            |

**Video**

|                                   |   |
|-----------------------------------|---|
| Compression                       | H.265, H.264, MJPEG   |
| Maximum Frame Rate vs. Resolution | (Visual camera) 30 fps at 2688 x 1520 30 fps at 1920 x 1080 30 fps at 1280 x 720 30 fps at 704 x 480 (Thermal camera) 25 fps at 1280 x 720 25 fps at 704 x 576 25 fps at 640 x 480 25 fps at 352 x 288 25 fps at 320 x 240  |
| Multi-Streaming                   | Simultaneous dual streams   |
| Wide Dynamic Range                | Superior WDR (120 dB)   |
| Digital Noise Reduction           | 3D DNR  |
| Built-in Analytics                | Object Line Crossing Detection, Object Enter Area Detection, Object Exit Area Detection, People Line Crossing Detection, People Enter Area Detection, People Enter Area Detection, People Exit Area Detection, Vehicle Line Crossing Detection, Vehicle Enter Area Detection, Vehicle Exit Area Detection, Intrusion Detection (Forbidden Area Detection), Temperature Detection, Fire Detection (Temperature-based with threshold setup) |

**Audio**

|                   |   |
|-------------------|---|
| Audio Type        | 2-way, Mic-in, Stereo Line-in, Line-out |
| Audio Compression | G.711, G.722.1, G.726, PCM, MP2L2       |

**Network**

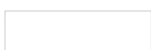
|                            |   |
|----------------------------|---|
| Network Protocol & Service | IPv4/v6, TCP, UDP, PPPoE, HTTP, HTTPS, DNS, DDNS, NTP, RTP, RTSP, RTCP, SMTP, FTP, IGMP, ICMP, ARP, UPnP, QoS, SNMP, TLS 1.2, IEEE 802.1X |
| Ethernet Port              | 1 x Ethernet (10/100 Base-T), RJ-45 connector   |
| Security                   | IP address filtering, HTTPS encryption, Password protected user level   |

**Temperature Measurement**

|                      |                              |
|----------------------|------------------------------|
| Temperature Range    | -20°C ~ 150°C (-4°F ~ 302°F) |
| Temperature Accuracy | ±8°C (14.4°F)                |

**Detection Range**

|   |   |
|---|---|
| Triggering Analytics Event Notification | (People 1.8x0.5m) 30m (Vehicle 1.4x4.0m) 85m (Supported Analytics Events included Line Crossing Detection, Enter Area Detection and Exit Area Detection for People, Vehicle and any objects.) |
|---|---|



|                                     |   |
|-------------------------------------|---|
| Triggering Temperature Notification | (Object 1x1m) 66m (Object 2x2m) 132m  |
| Observation Range                   | Detection: People 182m; Vehicle 559m Recognition: People 46m; Vehicle 140m Identification: People 23m; Vehicle 70m (People: 1.8 x 0.5m) (Vehicle: 1.4 x 4.0m) |

**Event**

|                |   |
|----------------|---|
| Event Trigger  | External device through digital input, Sound detection, Temperature Exception Detection (up to 10 points, 10 areas and 1 line), Intelligent event detection |
| Event Response | Send E-mail Notification, Flashing white light, Save video to local storage, Activate external device through digital output                                |

**System**

|          |  |
|----------|--|
| Language | Multi-Language, English, Traditional Chinese |
|----------|--|

**Integration**

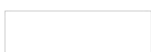
|                 |     |
|-----------------|-----|
| ONVIF Compliant | Yes |
|-----------------|-----|

**Interface**

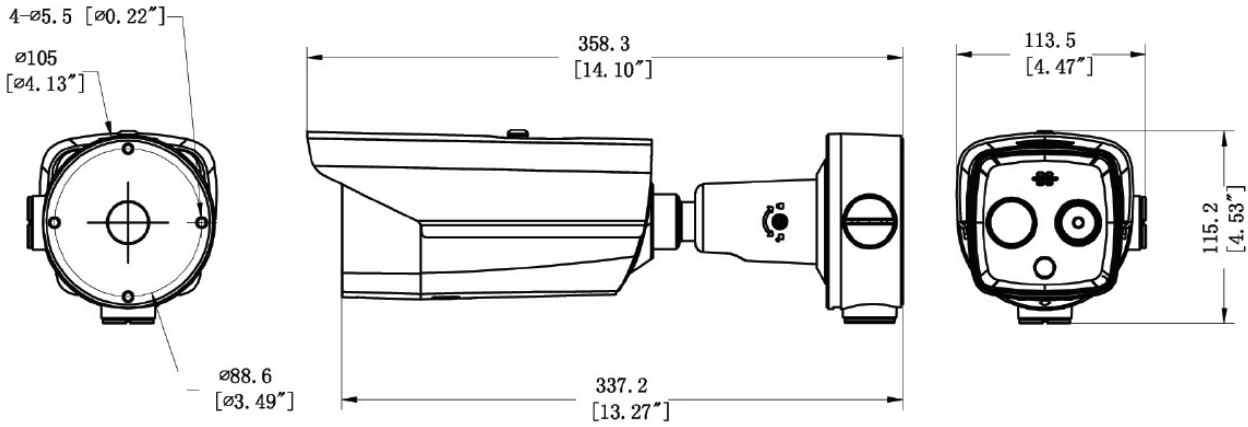
|                      |   |
|----------------------|---|
| Serial Port          | 1 x RS-485  |
| Audio Interface      | 1/1, 3.5mm Phone Jack   |
| Analog Video Output  | 1 x BNC connector, for installation only  |
| Local Storage        | MicroSD, MicroSDHC, MicroSDXC Memory Card Slot (card not included, up to 256GB, Kingston or Sandisk only) |
| Digital Input/Output | 2/2   |

**General**

|                       |  |
|-----------------------|--|
| Power Source          | DC 12V, PoE Class 3 (IEEE802.3af)  |
| Power Consumption     | 6 W (DC), 6.5 W (PoE)  |
| Weight                | 1760g (3.88lb)   |
| Dimensions            | (L x W x H): 358.3mm x 113.5mm x 115.2mm (14.10" x 4.47" x 4.53")  |
| Environmental Casing  | Weatherproof (IP66)  |
| Corrosion Protection  | Optional for project request. Chassis corrosion resistance at the seashore approximately 2-3 years.                                    |
| Operating Temperature | -40°C ~ 60°C (-40°F ~ 140°F)   |
| Real-time Clock (RTC) | Yes  |
| Warranty              | 3 Year(s). For extended warranty offering, see <a href="http://www.acti.com/support/warranty">http://www.acti.com/support/warranty</a> |



## ► Dimension Diagram



Unit: mm [inch]

## ► Related Products

### Metadata Generator Device - Metadata Camera

VMGB-370



4MP Metadata Camera with Day/Night, IR LED, Built-in Human Temperature Detection

### Mounting Accessories - Camera Mount

PMAX-0524



Pole Mount (for A416, A418, A419, A44, A45, A46, A48, VMGB-351, B419-P2), supports 2.64" to 5" Poles

**Note:** Some mounting accessories may need additional accessories for installation. Please check [www.acti.com/mountingselector](http://www.acti.com/mountingselector) for more information.

### Power Supply Accessories - Power Adapter

PPBX-0012



Power Adapter AC 100~240V (US), for A3x, A4x, A88, A9x, Z31, Z8x, Z9x

PPBX-0013



Power Adapter AC 100~240V (EU), for A3x, A4x, A88, A9x, Z31, Z8x, Z9x

PPBX-0014



Power Adapter AC 100~240V (UK), for A3x, A4x, A88, A9x, Z31, Z8x, Z9x

PPBX-0026



Power Adapter AC 100~240V (US) for A3x, A4x, A7x, A88, A9x, Z3x, Z4x, Z7x, Z8x, Z9x