

Vi2400A

Mini

Mini MaxiiCopper™ High-Speed Ethernet Extender over Coax

Features

- Converts Ethernet UTP to transmit network data and PoE over standard coax cable
- Compat design, fits easily inside weatherproof and plenum rated enclosures
- Extends Ethernet beyond 328 feet (100 m) limitation up to 5,000 feet (1,515 m) over Coaxial cables
- Saves additional equipment costs and reduces installation time
- MegaPixel Certified (MPC™) High data rate, ideal for high bandwidth requirements of Mega-pixel cameras, multiple IP cameras systems and cameras requiring Jumbo Frame transmission
- Pass Through PoE (PTP™) compatibility with 802.3af and 802.3at Power over Ethernet reduces installation costs while maintaining camera safeguards
- Symmetric Bandwidth (SBW™) provides consistent upload and download with Virtual Zero Packet Loss (VZPL™) over total specified distance
- Type tested to RFC-2544 TCP/IP network bandwidth packet transmission standards
- Built in transceiver cable connectivity tester
- Type tested for -40°C to +75°C temperature range under NEMA-TS2 testing standards
- Removable wings and BNC pigtail provides easy mounting
- Complies to major IEEE standards and RFC network protocols for UDP, TCP/IP, HTTP/HTTPS
- USA designed and manufactured
- Limited Life Time Warranty.



Applications

- Retrofit analog CCTV installations into Digital systems.
- Extending Networks in industrial environment.
- CCTV System for Casinos, Airports, School Campuses

Vigtron's Mini MaxiiCopper™ Vi2400A Ethernet over Coax Network extender brings new performance standards to the growing need for high speed transmission of full bandwidth Ethernet and PoE over extended distances of coaxial cables. The compact mini extender is designed to easily fit in standard 4 x 4 and J-Boxes, providing weatherproofing and compliance with fire and other environmental requirements. Its unique Symmetric Bandwidth (SBW™) assures full bandwidth transmission is maintained over the entire operational distance for both uploads and downloads with Virtual Zero Packet Loss (VZPL™). Bandwidth assurance provides the ability to transmit multiple cameras on single camera runs with no information loss.

Pass Through PoE (PTP™) eliminates the need for additional remote site power while allowing a single PoE source, such as a PoE network switch, to provide power to both transceivers and the camera. This feature eliminates the need for local and remote site power supplies. Type tested under NEMA-TS2 environmental standards for extended temperature operations between -40°C to +75°C, the Vi2400A is the perfect solution for extended distance data and power transmission for warehouses, parking lots, campuses, casinos, and many more. MaxiiCopper's™ Vi2400A is low power and easily fits inside most cameras housing and junction boxes. Best of all, the Vi2400A is MegaPixel Certified (MPC™), type tested to network packet performance standards, and major manufacturer compatibility tested to assure you error free and reliable operations.

Installation cost savings, proven performance, and major camera brand compatibility all go into making Vigtron's Mini MaxiiCopper™ Vi2400A your best choice for extended distance data and power transmission.



The Smart Choice for Transmission Solutions

www.vigtron.com

Technical Specification

Electrical

| | |
|---------------------|------------------------------------------------------------------------------------------------------|
| Ethernet Interface | Standard 10/100BaseT |
| Data Rate | Auto select 10/100 Mb/s Full speed / full duplex at maximum rated distance |
| Coax | 75 Ohm, 5,000 feet (1,515 m) at 10BaseT 1,800 feet (546 m) at 100BaseT |
| Power Consumption | 12 VDC, 1.8 W w/PoE af/at, 1.5 W w/external power supply |
| Status LEDs | Power On Standard Ethernet: Traffic, Link Extended Ethernet: Traffic, 10/100BaseT |
| Connectors | Ethernet Interface: RJ-45 Connector Extended Interface: Female BNC Power: 2-pin Terminal Block |
| RFC | 2544 TCP/IP Packet Transmission |
| PoE Compatibility | IEEE 802.3af, IEEE 802.3at |
| RFC | 768 UDP, 2068 HTTP, 793 TCP 791 IP, 1783 TFTP, 894 IP over Ethernet |
| Jumbo Frame Support | Yes |

Regulatory

| | |
|---------------|-------------------------------------------------------------------------------------------------------------|
| FCC | Part 15, Subpart , Class B 2010 |
| Emissions | EN 5502:2006+A1:2007, EN 61000-3-2:2006+A1:2009+A2:2009 EN 61000-3-3:2008, EN 55024:1998+A1:2001+A2:2003 |
| Safety | CE |
| Environmental | RoHS |

Environmental

| | |
|-------------|---------------------------------------------------------------------------|
| Humidity | 0 to 95%, non-condensing |
| Temperature | Operating: -40°C to +75°C per NEMA-TS2 testing Storage: -40°C to +85°C |

Mechanical

| | |
|------------|---------------------------------------------------------|
| Dimensions | 0.97x1.75x2 in., 2.5x4.4x5 cm (HxWxL), 11" Coax pigtail |
| Weight | 0.19 lb, 87g |
| Material | Extruded Aluminum |

Accessories

12 VDC wall-mount power supply (optional)

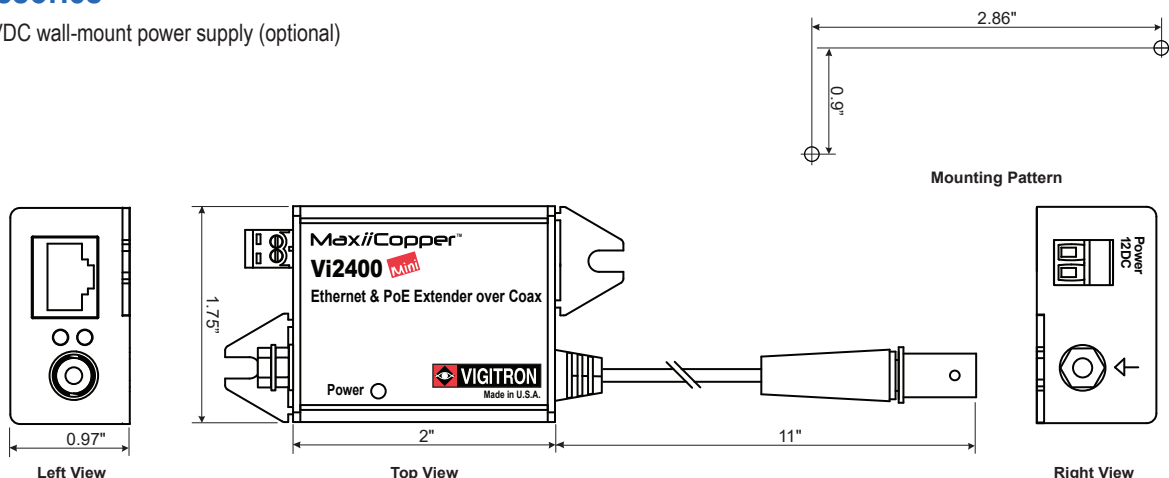
Ordering Information

| Part No. | Description |
|----------|-----------------------------------------|
| Vi2400A | Single port Mini Coax Ethernet Extender |
| Vi2401A | Single port Coax Ethernet Extender |
| Vi24xxA | 4, 8, 16-port Coax Ethernet Extenders |
| Vi26xxA | 4, 8, 16-port Coax Extended Midspans |
| Vi0012 | 12 VDC Wall-mount Power Supply |

Data and PoE Distance

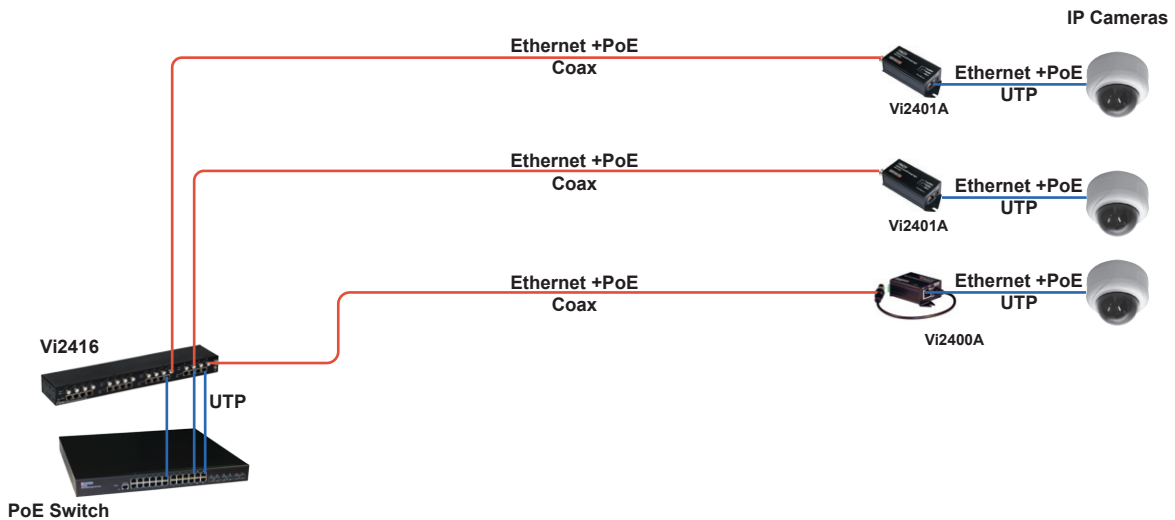
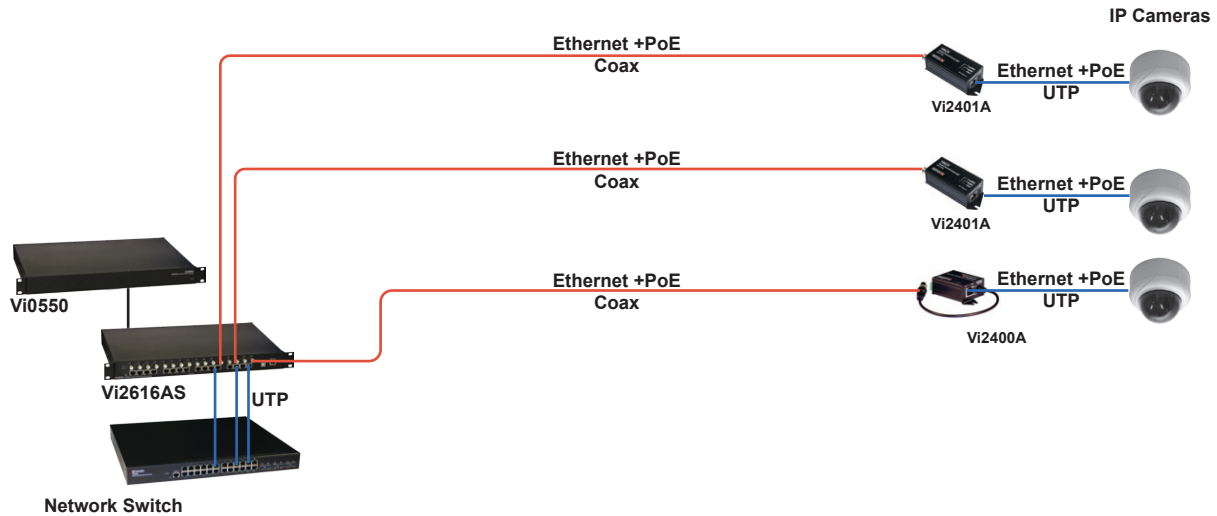
| Data Rate | Distance ³ (without POE) | Distance ⁴ (with POE) |
|-----------|----------------------------------------|-------------------------------------|
| 10BaseT | 5,000 ft. (1,515m) | 3,000 ft. (914m) |
| 100BaseT | 1,800 ft. (546m) | 1,800 ft. (546m) |

- Specifications subject to change without notice.
- Distance figures are obtained using in house testing mirroring installations. Factors such as cabling, connections, use of power and environmental conditions may affect actual distances and should be taken into consideration.
- Distance figures are based on RG59U Coax cable and external power supply for extender and camera.
- Specifications reflect operating using Pass Through PoE (PTP™) providing power for both transceivers and camera from a single source. Distances may increase if transceivers are locally powered.
- System can be powered for 802.3af /at using PTP™ reference used is Class 2.



TEL: (+1) 858-484-5209 • FAX: (+1) 858-484-1205 • Email: support@vigatron.com • Web: www.vigatron.com
7810 Trade Street, Suite 100, San Diego, CA 92121,

Application Diagrams



Note:
Single pair wire application designs need to be confirmed by Vigitron tech support.



TEL: (+1) 858-484-5209 • FAX: (+1) 858-484-1205 • Email: support@vigitron.com • Web: www.vigitron.com
7810 Trade Street, Suite 100, San Diego, CA 92121, USA